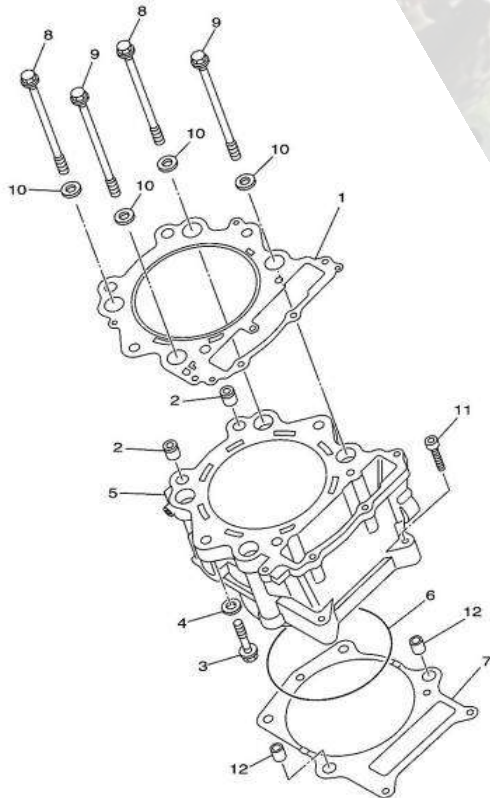
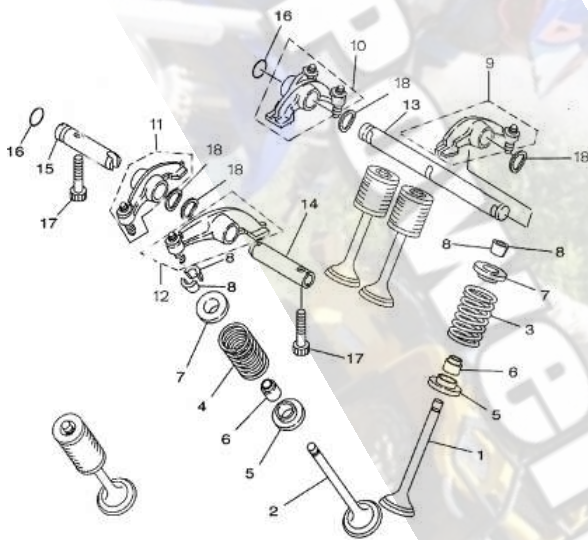


POWERMAX CANADA

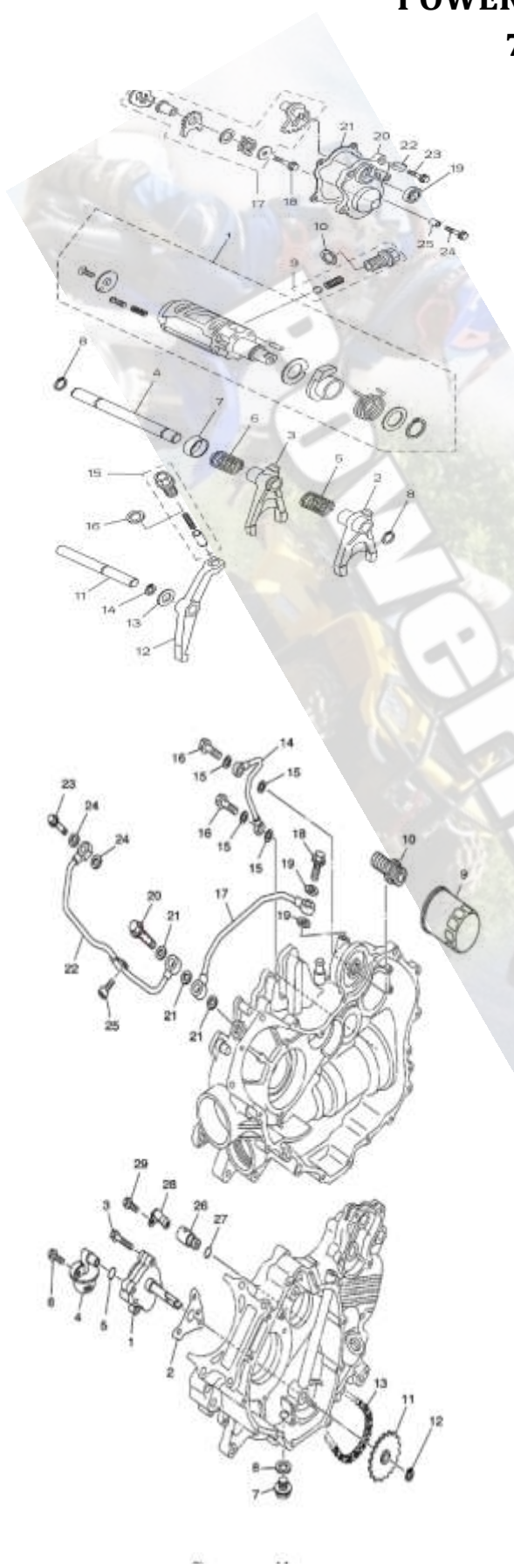
700 ATV



VALVE SWING ARM COMP&VALVE			
No.	Part No.	Part Name And Standard	Unit Price
1	14711-F39-0000	VALVE INTAKE	\$36.43
2	14721-F39-0000	VALVE EXHAUST	\$48.43
3	14751-F39-0000	SPRING VALVE INNER	\$14.54
4	14761-F39-0000	SPRING VALVE OUTER	\$13.86
5	14775-F39-0000	SEAT VALVE SPRING	\$9.08
6	12209-F39-0000	SEAL VALVE STEM	\$16.07
7	14771-F39-0000	RETAINER VALVE SPRING	\$9.58
8	14781-F39-0000	COTTER VALVE	\$5.35
9	14430-F39-0000	INLET PIPE ROCKER ASSY I	\$43.19
10	14440-F39-0000	INLET PIPE ROCKER ASSY II	\$48.62
11	14450-F39-0000	OUTLET PIPE ROCKER ASSY I	\$49.38
12	14460-F39-0000	OUTLET PIPE ROCKER ASSY II	\$49.38
13	14451-F39-0000	SHAFT ROCKER I	\$24.39
14	14471-F39-0000	SHAFT ROCKER III	\$29.93
15	14461-F39-0000	SHAFT ROCKER II	\$29.93
16	91215-F39-0000	O-RING 8.1×2.5	\$5.29
17	GB/T 70.1-2000	BOLT M6×20	\$1.53
18	14452-F39-0000	WASHER	\$0.96
700CYLINDER			
No.	Part No.	Part Name And Standard	Unit Price
1	12250-F39-0000	CYLINDER HEAD GASKET	\$59.62
2	90801-F39-0000	DOWEL PIN 12×15.7	\$4.90
3	GB/T 16674-1996	BOLT M9×38.5	\$3.19
4	90601-F39-0000	WASHER 10×19×2	\$1.45
5	12100-F39-0000	CYLINDER BODY ASSY	\$422.23
6	91206-F39-0000	O-RING 105.7×2.8	\$14.12
7	12150-F39-0000	GASKET, CYLINDER	\$24.72
8	90031-F39-0000	BOLT M10×108.5	\$2.75
9	90032-F39-0000	BOLT M10×115	\$2.63
10	90604-F39-0000	WASHER 10.5×20×2.2	\$1.66
11	GB/T 70.1-2000	BOLT M6×40	\$1.84
12	90802-F39-0000	DOWEL PIN 14×15.7	\$4.89

POWERMAX CANADA

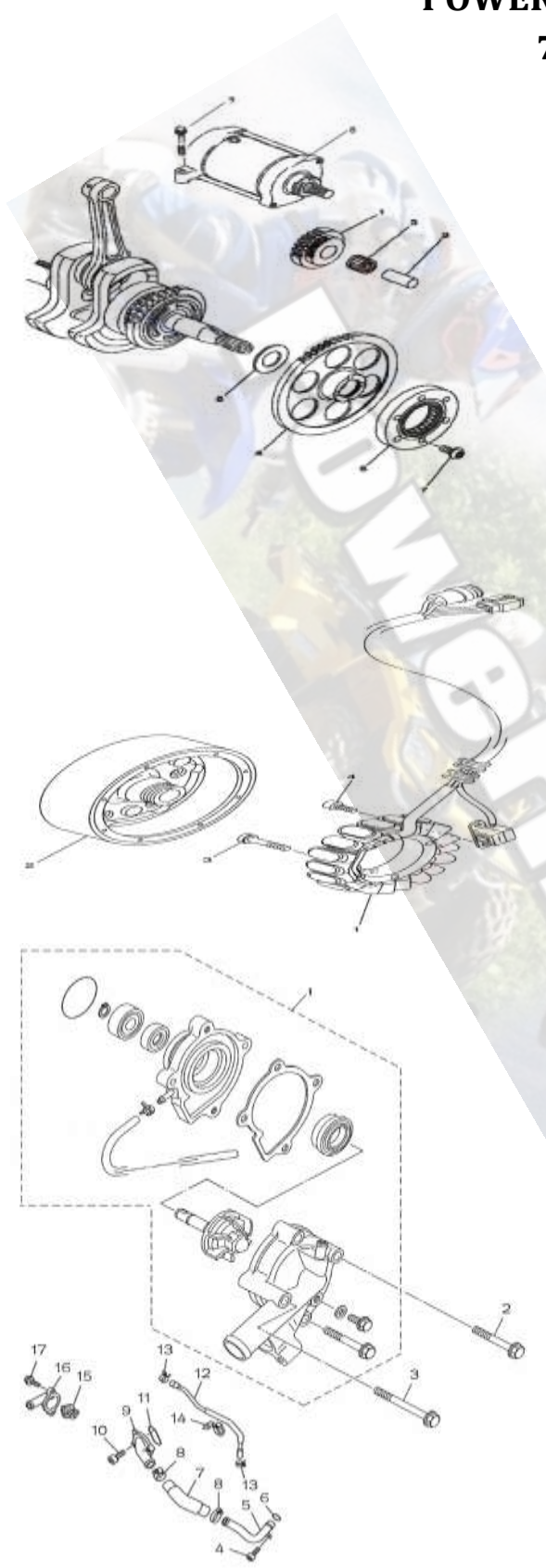
700 ATV



SHIFT CAM FORK			
No.	Part No.	Part Name And Standard	Unit Price
1	23200-F39-0000	SHIFT CAM ASSY	\$227.16
2	23101-F39-0000	R FORK	\$50.79
3	23102-F39-0000	HL FORK	\$48.10
4	23103-F39-0000	FORK SHAFT	\$19.16
5	23104-F39-0000	SPRING COMPRESSION	\$14.08
6	23105-F39-0000	SPRING COMPRESSION	\$14.09
7	23106-F39-0000	CAP SPRING	\$7.58
8	90702-F39-0000	CIRCLIP 12	\$6.83
9	23300-F39-0000	GEAR STATION BOLT COMP	\$9.48
10	90617-F39-0000	GASKET 14×22×1	\$11.04
11	43601-F39-0000	SHAFT, SHIFTER	\$13.46
12	43602-F39-0000	LEVER, STOPPER	\$64.53
13	90608-F39-0000	WASHER 12.3×20×1	\$1.75
14	90702-F39-0000	CIRCLIP12	\$1.73
15	43610-F39-0000	PARKING STATION BOLT COMP	\$22.30
16	90609-F39-0000	GASKET 14×20×1.5	\$5.77
17	23340-F39-0000	GEAR ROCKER MAIN/SIDE GEAR COMP	\$85.58
18	GB/T 5789-1986	BOLT M6×35	\$1.24
19	91111-F12-0000	OIL SEAL15×25×5	\$12.97
20	23311-F39-0000	GEAR ROCKER SIDE COVER	\$38.07
21	23312-F39-0000	GEAR ROCKER SIDE COVER CUSHION	\$24.10
22	91602-F39-0000	CLIP II	\$6.40
23	GB/T 16674-1996	BOLT M6×20	\$1.73
24	GB/T 16674-1996	BOLT M6×30	\$1.84
25	90803-F39-0000	DOWEL PIN 8×11.7	\$1.59
OIL PUMP			
No.	Part No.	Part Name And Standard	Unit Price
1	15100-F39-0000	OIL PUMP ASSY	\$124.73
2	15101-F39-0000	GASKET PUMP COVER	\$11.82
3	GB/T 16674-1996	BOLT M6×40	\$1.45
4	15300-F39-0000	STRAINER HOUSING ASSY	\$43.34
5	91210-F39-0000	O-RING14×2.3	\$5.92
6	GB/T 16674-1996	BOLT M6×14	\$1.21
7	GB/T 5789-1986	BOLT M14×1.5-6H-16	\$4.19
8	90612-F39-0000	WASHET 14×22×1	\$1.79
9	15200-F39-0001	ELEMENT ASSY OIL CLEANER	\$15.08

POWERMAX CANADA

700 ATV



1	31220-F39-0000	PAIR GEARWHEEL	\$74.63
2	31230-F39-0000	PAIR GEARWHEEL SHAF	\$13.23
3	31250-F39-0000	BEARING	\$25.35
4	31240-F39-0000	GEAR WITH PLATE TYPE	\$91.72
5	90615-F39-0000	WASHER 25×39×1	\$4.07
6	31100-F11-0000	STARTER ONE-WAY ASSY	\$224.28
7	GB/T 70.1-2000	BOLT M8×16	\$1.07
8	31200-F39-0000	MOTOR ASSY	\$261.47
9	GB/T 16674-1996	BOLT M6×30	\$2.14

GENERATOR

No.	Part No.	Part Name And Standard	Unit Price
1	31100-F39-0000	STATOR ASSY	\$318.47
2	31101-F39-0000	ROTOR ASSY	\$295.47
3	GB/T 9074.5-1988	SCREW PAN HEAD	\$1.63
4	GB/T 70.1-2000	BOLT M5×12	\$0.92

WATER PUMP

No.	Part No.	Part Name And Standard	Unit Price
1	19700-F39-0000	WATER PUMP ASSY	\$181.89
2	GB/T 16674-1996	BOLT M6×45	\$1.55
3	GB/T 16674-1996	BOLT M6×65	\$1.66
4	GB/T 70.1-2000	BOLT M6×10	\$1.62
5	19272-F39-0000	WATER PIPE II	\$19.91
6	91213-F39-0000	O-RING 20.7×2.6	\$5.94

