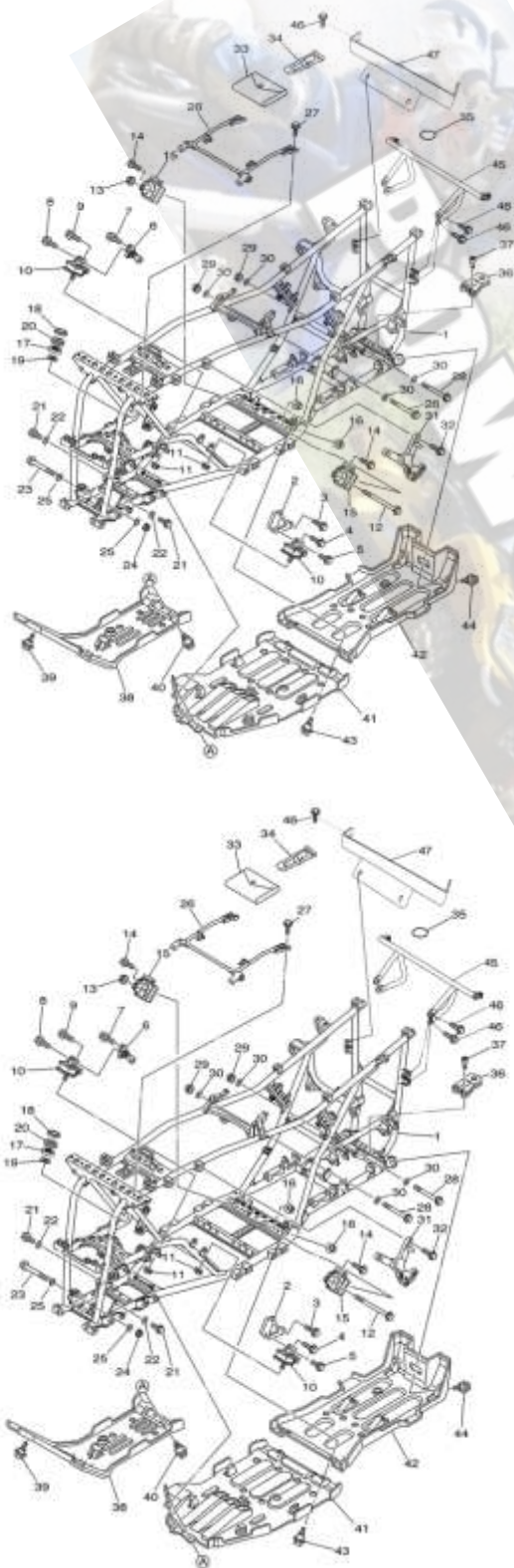


POWERMAX CANADA

700 ATV / 500 ATV



FRAME BODY PART			
No.	Part No.	Part Name And Standard	Unit Price
1	51100-058-0000	jointing comp.frame body	\$773.31
2	54305-058-0000	Saty,engine	\$5.52
3	GB/T16674-96	sexangle flang bolt M8×20	\$0.88
4	GB/T16674-96	sexangle flang bolt M6×16	\$0.24
5	GB/T16674-96	sexangle flang bolt M8×20	\$1.87
6	54306-058-0000	Saty,engine 2	\$6.52
7	GB/T16674-96	sexangle flang bolt M8×20	\$0.88
8	GB/T16674-96	sexangle flang bolt M6×20	\$0.24
9	GB/T16674-96	sexangle flang bolt M6×16	\$1.87
10	54320-058-0000	Front bracket support	\$18.86
11	GB/T6187.1-2000000000	Self-locked nut M10×1.25	\$1.52
12	GB/T16674-96	sexangle flang bolt M10×170	\$4.62
13	GB/T6187.1-2000	Self-locked nut M10×1.25	\$1.50
14	GB/T16674-96	sexangle flang bolt M6×16	\$1.74
15	54330-058-0000	Rear bracket support	\$18.86
16	GB/T6187.1-200000	Self-locked nut M10×1.25	\$1.42
17	62118-023-0000	steering shaft bearing 6023	\$12.58
18	62121-023-0000	oil seal,steering shaft bearing upper	\$4.28
19	62122-023-0000	oil seal,steering shaft bearing under	\$4.19
20	62119-023-0000	locked nut M42×1,steering shaft bearing	\$8.48
21	GB/T16674-96	Sexangle flang bolt M10×25	\$2.41
22	GB95-85	Cushion φ,plate	\$2.04
23	GB/T16674-96	Sexangle flang bolt M10×115	\$4.09
24	GB/T6187.1-2000	Self-locked nut M10×1.25	\$1.50
FRAME BODY PART			
No.	Part No.	Part Name And Standard	Unit Price
25	GB95-85	cushion φ10,plate	\$3.04
26	19250-058-0000	Stay,fender	\$38.58
27	GB/T16674-96	Sexangle flang bolt M16×12	\$0.83
28	GB/T16674-96	Sexangle flang bolt M10×115	\$4.29
29	GB/T6187.1-2000	Self-locked nut M10×1.25	\$2.10
30	GB97-85	Cushion φ10,plate	\$2.04
31	23470-058-0000	Connecting bracket,gearshift	\$18.15
32	GB/T16674-96	Sexangle flang bolt M8×20	\$0.88
33	85100-058-0000	Tool kit	\$13.01
34	85103-058-0000	Gauge,air	\$14.19
35	91201-058-0000	O-ring	\$2.48
36	72302-058-0000	Hook	\$24.62
37	GB/T16674-96	Cap screw M10×25	\$1.21
38	82801-058-0000	Guard,engine 1	\$38.94
39	90101-058-0000	sexangle flang step bolt M6×16-φ10×4×12	\$0.76
40	90101-058-0000	sexangle flang step bolt M6×16-φ10×4	\$0.78
41	82802-058-0000	Guard,engine 2	\$42.40
42	82803-058-0000	Guard,engine 3	\$55.71

POWERMAX CANADA

700 ATV / 500 ATV

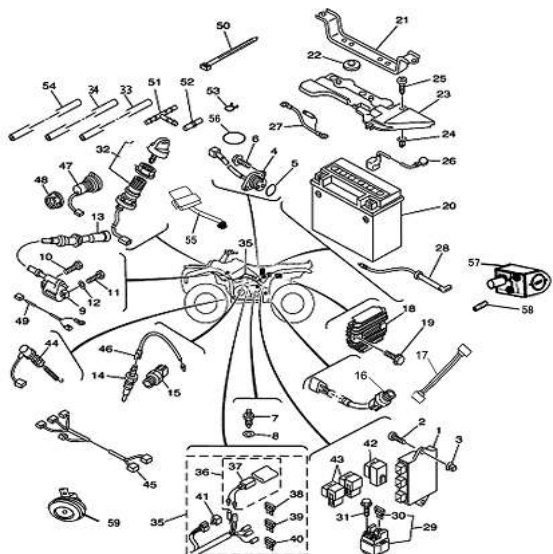
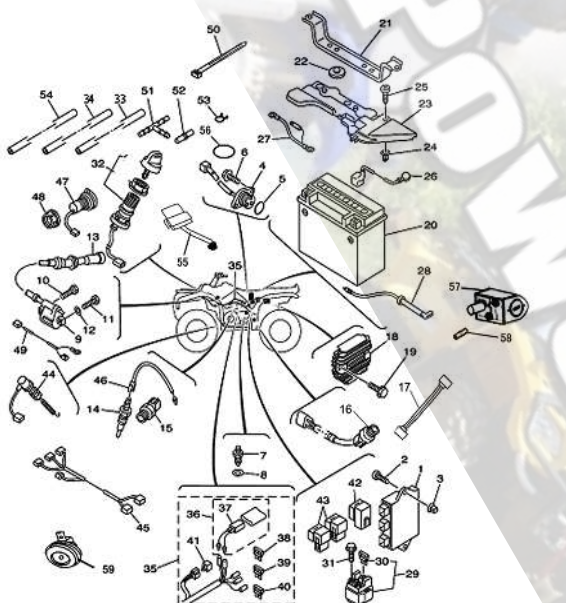
43	90101-058-0000	sexangle flang step bolt M6×16	\$0.86
44	90101-058-0000	sexangle flang step bolt M6×16-φ10×4×12	\$0.76
45	54250-058-0000	Tail light bracket comp	\$6.66
46	GB/T16674-96	Sexangle flang bolt M16×12	\$0.42
47	54211-058-0000	Rear license bracket	\$9.61

ELECTRICAL PART

No.	Part No.	Part Name And Standard	Unit Price
1	33200-058-0000	CDI ignition unit	\$227.63
2	90302-025-0000	nut tapping M6×25	\$0.27
3	90302-025-0000	Plastic nut tapping	\$0.44
4	37180-058-0000	Neutral switch assy	\$52.18
5	91202-058-0000	O-ringφ50	\$3.24
6	GB/T16674-96	sexangle flang bolt M6×16	\$0.54
7	37125-058-0000	Reverse speed-limit switch	\$24.77
8	GB95-85	Cushion,plate	\$1.34
9	33100-058-0000	high voltage bag	\$36.34
10	GB/T5783-2000	sexangle flang bolt M6×20	\$0.74
11	GB/T5783-2000	sexangle flang bolt M6×20	\$1.64
12	GB95-85	Cushion,plateφ10	\$1.34
13	33101-058-0000	high voltage bag&high voltage cap	\$31.55
14	19410-058-0000	Thermo switch assy	\$38.16
15	19430-058-0000	Thermo switch assy	\$37.16
16	36510-058-0000	Sensor,speed	\$67.07
17	36511-058-0000	Sensor,connecting line	\$4.55
18	32100-058-0000	rectifier,adjusting voltage	\$98.54
19	GB/T16674-96	sexangle flang bolt M6×20	\$0.84
20	32200-058-0000	Battery	\$85.94
21	32201-058-0000	press plate stand,battery	\$19.69
22	32202-023-0000	pressplate rubber washer,battery	\$3.06
23	32203-058-0000	protection plate,main cable	\$8.23
24	90302-025-0000	Plastic nut tapping	\$0.44

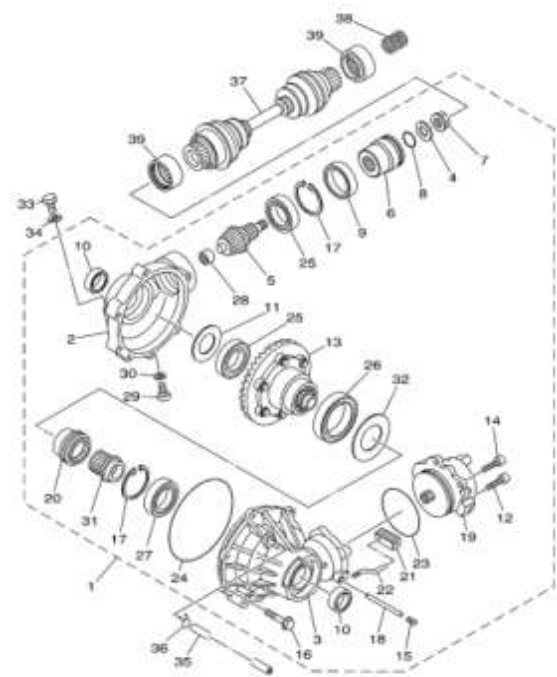
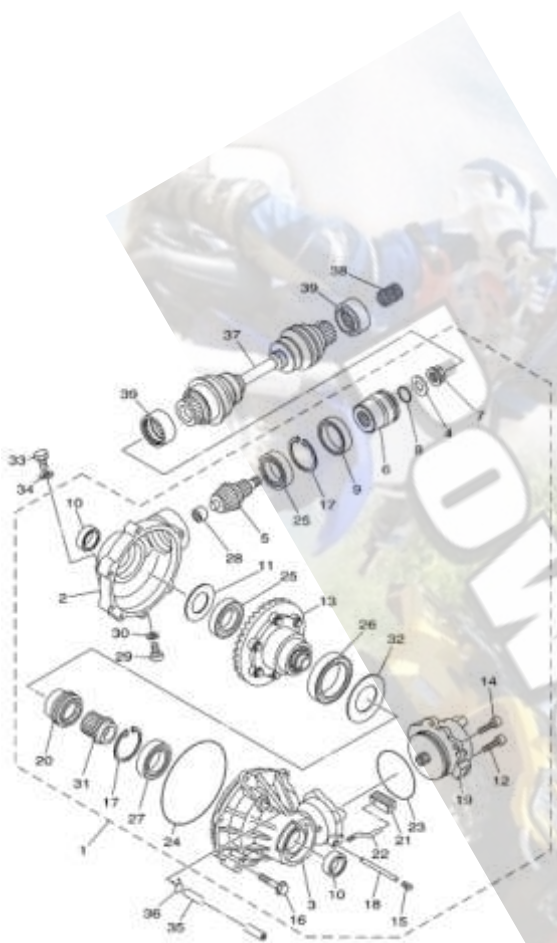
ELECTRICAL PART

No.	Part No.	Part Name And Standard	Unit Price
25	GB9456-88	tapping screw,cross groove ST6×15	\$0.25
26	34102-058-0000	plus wire,main cable	\$13.91
27	34101-058-0000	minus wire,main cable	\$12.48
28	34112-058-0000	Wire,lead	\$3.95
29	37700-023-0000	starting motor relay	\$48.77
30	32504-023-0000	safety tube,starting motor relay	\$6.24
31	GB/16674-96	Six angle flang M6×10	\$0.33
32	37200-058-0000	ignition switch	\$62.91
33	16140-F39-0000	Carburetor C300	\$2.07



POWERMAX CANADA

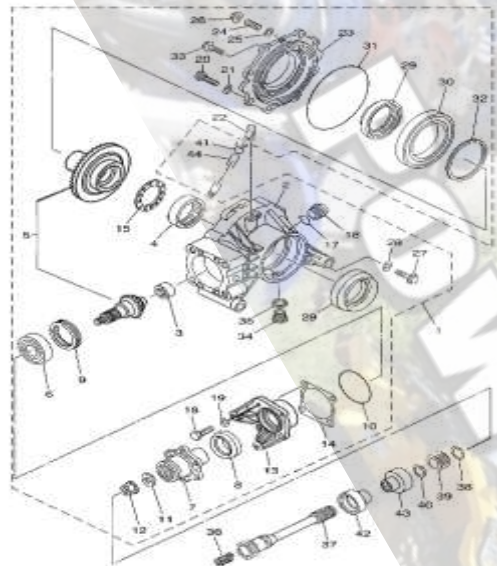
700 ATV / 500 ATV



No.	Part No.	Part Name And Standard	Unit Price
FRONT CASE ASSY			
1	27200-058-0000	gearshift assy,front bridge	\$934.44
2	27201-058-0000	Front bridge box casing	\$122.41
3	27202-058-0000	Box casing cover	\$129.77
4	GB/T96-85	Plain cushionφ10.5	\$4.04
5	27205-058-0000	Driving tooth,front bridge	\$112.68
6	27226-058-0000	Fit bracket drive chain	\$58.16
7	GB/T6184-2000	M10×1.25 locked nut	\$4.44
8	27216-058-0000	o-ring	\$3.08
9	27218-058-0000	Oil sealφ65×φ48	\$8.72
10	27219-058-0000	Oil seal	\$8.03
11	27213-058-0000	Adjusting gasket I	\$3.16
12	GB/T818-96	M8×20 power transfer bolt	\$3.09
13	27200-058-0000	differential gear assy	\$389.59
14	GB/T77-2000	cap screw M8×25	\$1.34
15	GB/T77-2000	cap screw M8×10	\$2.99
16	GB/T16674-96	Six angle flang bolt M10×25	\$1.63
17	GB/T8930.1-1986	φ66 circlip	\$2.87
18	27273-058-0000	φ5×80 cylindrical pin	\$6.16
19	31500-058-0000	power transfer assy	\$279.58
20	27271-058-0000	rotary joint sliding sleeve	\$46.75
21	27274-058-0000	rack	\$19.77
22	27272-058-0000	poking fork	\$11.82
23	31501-058-0000	o-ring,power transfer	\$3.16
24	27217-058-0000	o-ring	\$5.16
FRONT CASE ASSY			
No.	Part No.	Part Name And Standard	Unit Price
25	GB/T 276-1994	Bearing6007	\$25.26
26	GB/T 276-1994	Bearing6912	\$66.80
27	GB/T 276-1994	Bearing16007	\$23.50
28	GB/T 276-1994	needle roller bearing15BM2112	\$10.97
29	27231-058-0000	M10×16change oil bolt	\$2.54
30	27232-058-0000	φ10×1.5copper gasket	\$1.54
31	27275-058-0000	Power transfer coupling	\$43.38
32	27214-058-0000	Adjustinggasket II ,differential	\$5.16
33	GB/T16674-96	M14×15 bolt	\$2.95
34	27222-058-0000	Copper gasketφ14×2	\$1.54
35	27212-058-0000	Air vent	\$3.43
36	90401-058-0000	Circlip,oil pipeφ9	\$1.65

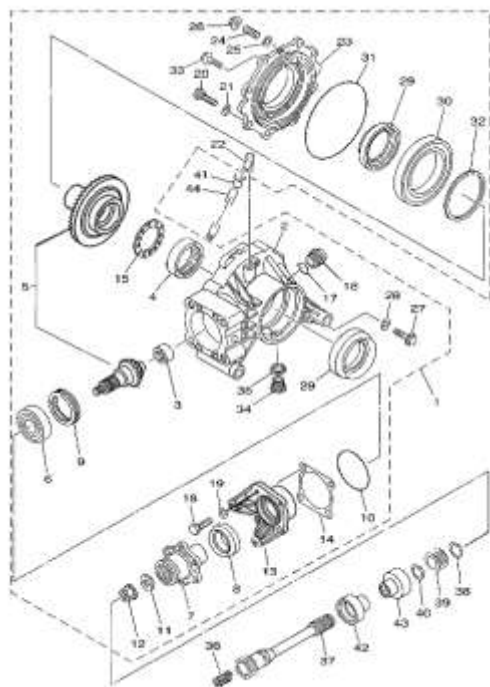
POWERMAX CANADA

700 ATV / 500 ATV



4	GB/T 276-1994	Needle bearing55BM6720A	\$35.22
5	26205-058-0000	rear axle gear set	\$267.68
6	26235-058-0000	clamping bush	\$6.61
7	26505-058-0000	Soleplate,rear disc brake	\$92.05
8	26218-058-0000	φ65×φ48 oil seal	\$10.66
9	GB/T 276-1994	bearing	\$30.33
10	26216-058-0000	o-ring,rear drving gear	\$5.11
11	26234-058-0000	Plain cushion	\$3.65
12	GB/T6174-2000	Nut M12×1.25	\$4.16
13	26226-058-0000	Soleplate,rear driving gear	\$63.57
14	26213-058-0000	Rear adjusting gasket I	\$7.30
15	26214-058-0000	Rear adjusting gasket II	\$10.52
16	26233-058-0000	bulkhead	\$16.54
17	26222-058-0000	o-ring	\$1.30
18	GB/T16674-2000	Six angle bolt M8×35	\$1.11
19	GB/T96-85	Plain cushionφ8	\$0.43
20	GB/T16674-2000	Six angle bolt M8×35	\$1.11
21	GB/T96-85	Plain cushionφ8	\$0.43
22	26236-058-0000	Zinc alloy flowing bean	\$25.16
23	26202-058-0000	Case cover,rear axle	\$48.16
24	GB/T77-200	dcap screw M8×45	\$7.45

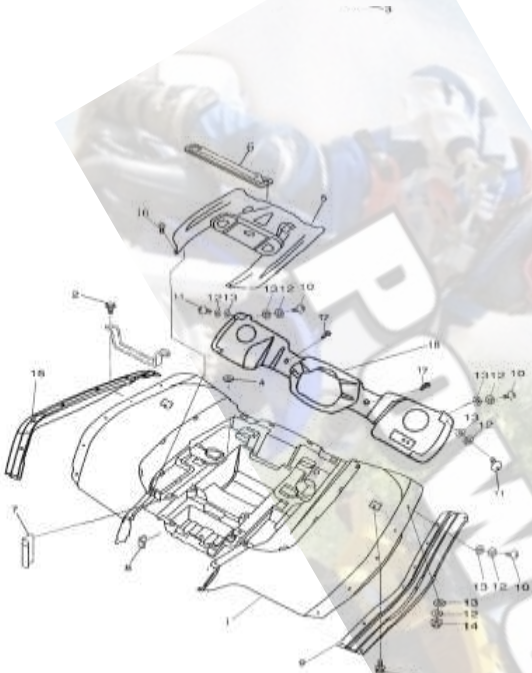
DRIVE SHAFT



No.	Part No.	Part Name And Standard	Unit Price
25	GB/T96-85	Copper gasketφ8	\$0.85
26	GB/T6174-2000	Flang nutM8	\$0.38
27	GB/T16674-2000	Six flang bolt M8×12	\$0.91
28	GB/T96-85	Copper gasketφ8	\$0.85
29	26219-058-0000	oil seal	\$19.61
30	GB/T 276-1994	Bearing16017	\$98.33
31	26217-058-0000	o-ring,rear axle case cover	\$7.16
32	26215-058-0000	Rear adjusting gasketIII	\$3.25
33	GB/T16674-2000	Six angle flang bolt M10×25	\$0.64
34	26228-058-0000	Bulkhead M14×15	\$4.54
35	GB/T96-85	Copper gasketφ14	\$0.75
36	26508-058-0000	Spring,rear axle transmission shaft	\$1.46
37	26501-058-0000	Rear axle transmission shaft	\$74.41
38	GB/T894.1-1986	Circlipφ18	\$3.14
39	26504-058-0000	jointsleeve,rear axle transmission shaft	\$19.99
40	GB/T894.1-1986	Circlipφ18	\$3.14
41	26109-058-0000	circlipφ11	\$3.05
42	26502-058-0000	Front dust cover,rear axle transmission shaft	\$6.41
43	26503-058-0000	rear dust cover,rear axle transmission shaft	\$3.33
44	26233-058-0000	Overflow pipe	\$3.49

POWERMAX CANADA

700 ATV / 500 ATV



3	GB/T5783-2000	sexangle flang bolt M6×16	\$0.74
4	90317-058-0000	plug	\$2.59
5	82201-058C-0000	Rear frame body cover	\$48.01
6	54260-058-0000	Seat bracket	\$18.26
7	82304-058-0000	Rear fender cover	\$3.25
8	82305-058-0000	Protect cover	\$2.91
9	83203-058C-0000	Rear frame body cover left skirting board	\$32.44
10	GB/T818-2000	screw M6×16	\$0.74
11	GB/T818-2000	screw M6×20	\$0.78
12	91214-023-0000	Glue cushion φ6	\$0.91
13	GB/T97.1-85	Plain cushion φ6	\$0.52
14	GB/T6174-2000	Sixangle flang nut M6	\$0.42
15	83204-058C-0000	Rear frame body cover left skirting board	\$32.44
16	GB/T818-2000	screw M5×16	\$0.72
17	GB/T16674-96	sexangle flang bolt M6×16	\$0.74
18	82220-058C-0000	Tail light fix cover comp	\$48.87

FRONT FENDER BODY & LIGHT SETTING PLATE

No.	Part No.	Part Name And Standard	Unit Price
1	82100-058C-0000	front frame body cover	\$474.19
2	GB/T818-2000	screwM6×16	\$0.74
3	90102-058-0000	Bolt M6×16-φ10×4	\$0.78
4	GB/T16674-96	sixangle flang bolt M6×14	\$0.74
5	82112-058C-0000	Front frame body cover	\$122.51
6	91214-023-0000	Glue cushion φ6	\$0.14
7	90302-058-0000	Expand screw	\$0.94
8	82500-058C-0000	Front headlight fixing seat	\$101.74
9	GB/T97.1-85	Cushion φ6	\$0.14
10	GB/T6174-2000	Six angle flange nut M6	\$0.52
11	GB/T818-2000	screw M6	\$0.74
12	83717-058C-0000	Water tank protect cover	\$16.50
13	GB/T6174-2000	Six angle flange nut M6	\$0.52
14	GB/T818-2000	Cushion φ6	\$0.14
15	82102-058-0000	Front carrier dustpoor cover	\$6.98
16	82104-058C-0000	Control plate (meter)	\$8.64
17	90101-023-0000	Step bolt M6×16-φ10×16	\$0.73
18	90302-058-0000	Expand screw	\$0.84
19	82130-058-0000	Front storage box	\$55.86
20	GB/T818-2000	screwM6×20	\$0.72

