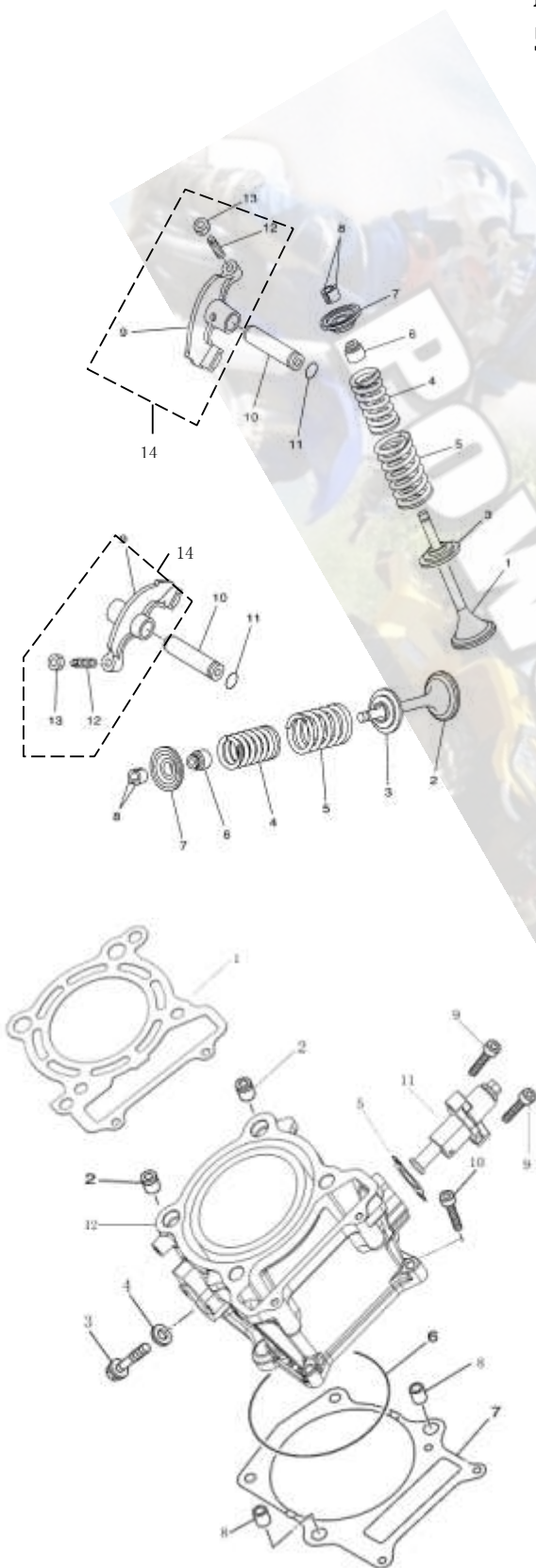


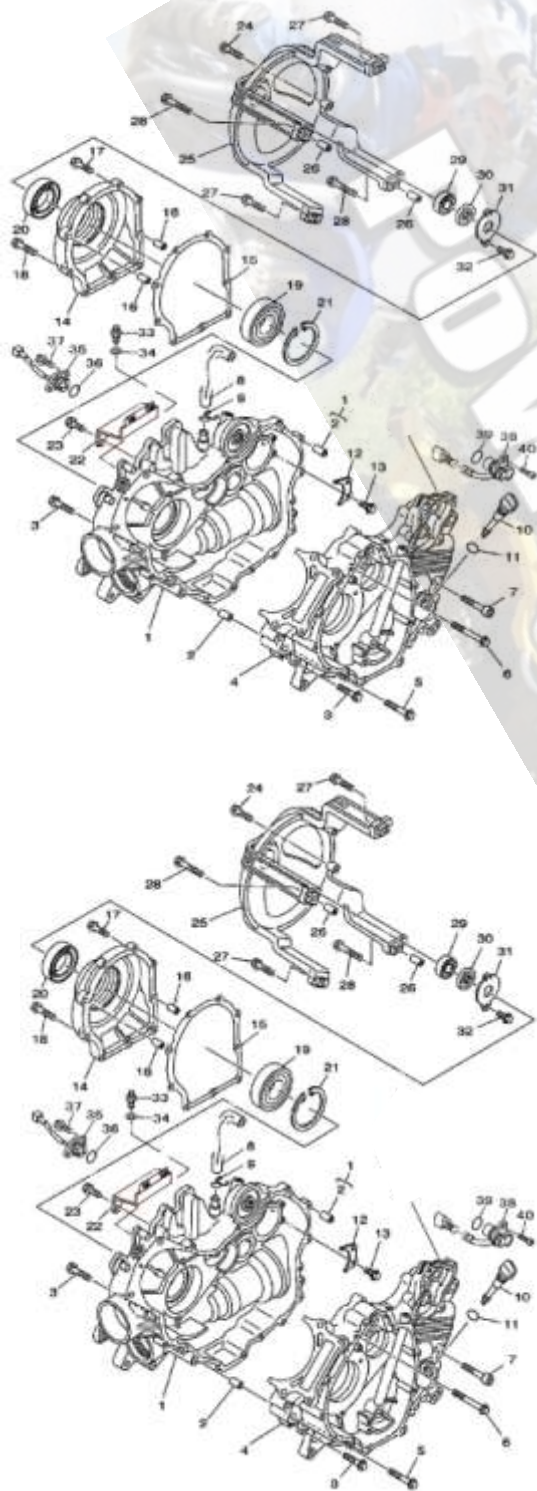
POWERMAX CANADA 500 ROUGH-RIDER UTV

VALVES			
No.	Part No.	Part Name And Standard	Unit Price
1	14711-F11-0000	INTAKE VALVE	\$15.97
2	14721-F11-0000	EXHAUST VALVE	\$31.97
3	14771-F11-0000	SEAT, VALVE SPRING	\$2.18
4	14761-F11-0000	SPRING, INNER VALVE	\$3.28
5	14751-F11-0000	SPRING, OUTER VALVE	\$3.46
6	12209-F11-0000	oil proof cover	\$1.38
7	14775-F11-0000	RETAINER, VALVE	\$4.35
8	14781-F11-0000	valve clip	\$1.35
9	14401-F18-0000	VALVE ROCKER	\$17.10
10	14451-F11-0000	ROCKER SHAFT	\$15.44
11	91211-F11-0000	O-RING 9×2	\$2.17
12	90012-F11-0000	adjusting screw ,valve	\$4.99
13	90206-F11-0000	adjusting nut ,valve	\$2.69
14	14400-F18-0000	VALVE ROCKER ASSY	\$23.10
CYLINDER			
No.	Part No.	Part Name And Standard	Unit Price
1	12250-F18-0000	GASKET, CYLINDER HEAD	\$39.10
2	90801-F39-0000	PIN 14×16	\$1.89
3	GB/T 16674-1996	FLANGE BOLT M6×14	\$5.89
4	90601-F18-0000	WASHER 6×13×1.5	\$2.26
5	14508-F11-0000	GASKET, TENSIONER CASE	\$3.34
6	91207-F39-0000	O-RING 90×3	\$6.12
7	12150-F18-0000	GASKET, CYLINDER body	\$14.24
8	90801-F39-0000	PIN 14×16	\$1.89
9	GB/T 70.1-2000	BOLT M6×25	\$0.93
10	GB/T 70.1-2000	BOLT M6×30	\$1.14



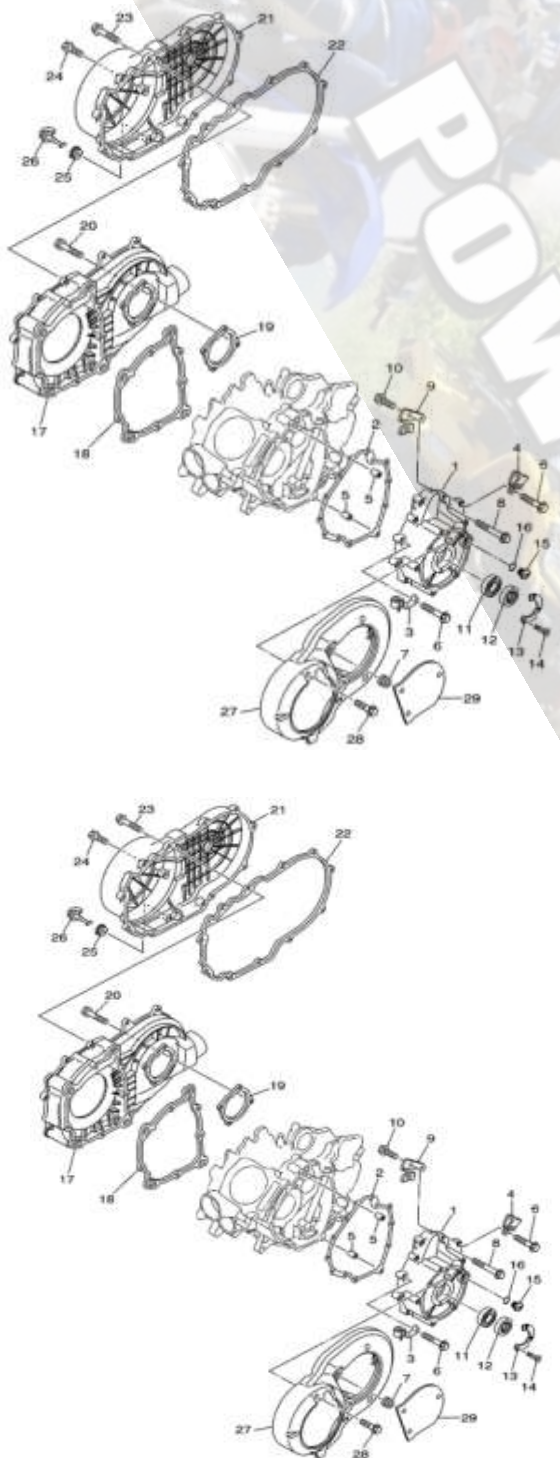
POWERMAX CANADA

500 ROUGH-RIDER UTV



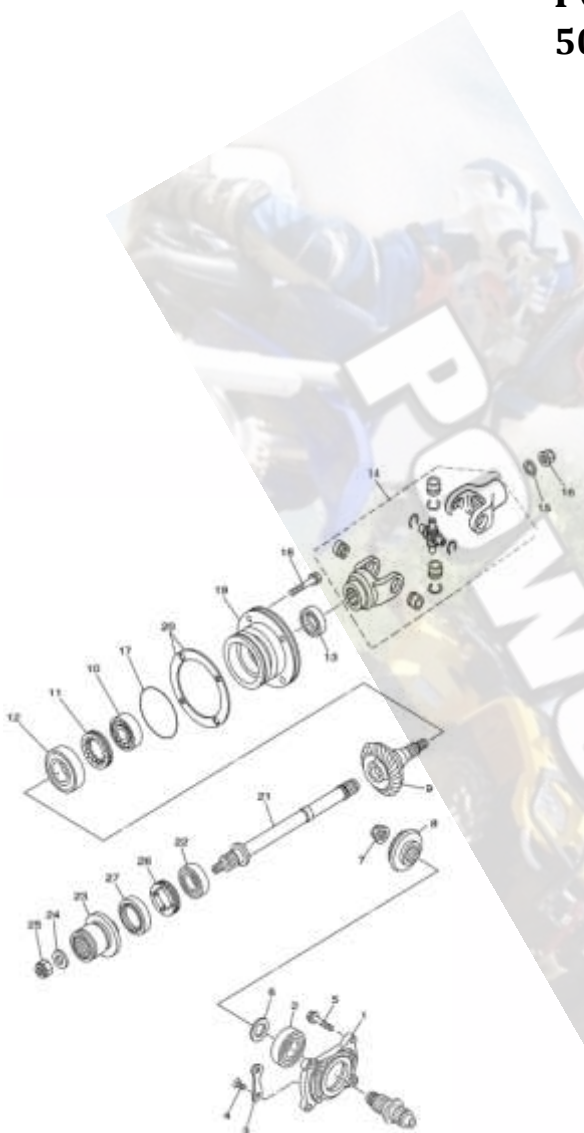
No.	Part No.	Part Name And Standard	Unit Price
1	11200-F39-0000	right crankcase assy	\$258.81
2	90803-F11-0000	PIN 10×15.7	\$0.89
3	GB/T 16674-1996	FLANGE BOLT M6×30	\$0.94
4	11100-F39-0000	left crankcase assy	\$253.08
5	GB/T 16674-1996	FLANGE BOLT M6×40	\$1.05
6	GB/T 5789-1986	FLANGE BOLT M6×55	\$2.05
7	GB/T 70.1-2000	screw M8×40	\$3.08
8	91202-058-0000	exhaust pipe of engine	\$16.81
9	91503-058-0000	exhaust pipe CLIP	\$1.18
10	15651-F39-0000	oil guage	\$12.36
11	91216-F39-0000	O-RING 20×2.3	\$3.34
12	11111-F39-0000	BEARING PLATE	\$3.99
13	GB/T 16674-1996	FLANGE BOLT M6×14	\$0.42
14	21240-F39-0000	BEARING HOUSING	\$35.49
15	21241-F39-0000	GASKET, BEARING HOUSING	\$7.72
16	90803-F11-0000	PIN 10×16	\$0.74
17	GB/T 16674-1996	FLANGE BOLT M6×30	\$0.94
18	GB/T 16674-1996	FLANGE BOLT M6×40	\$0.75
19	GB/T 276-1994	BEARING 16010	\$40.25
20	91102-F39-0000	OIL SEAL 35×65×8	\$7.92
21	90704-F39-0000	CIRCLIP 80	\$5.22
22	17115-F39-0000	exhaust pipe BRACKET	\$8.91
CRANKCASE			
No.	Part No.	Part Name And Standard	Unit Price
23	GB/T 5789-1986	FLANGE BOLT M6×16	\$0.93
24	GB/T 5789-1986	FLANGE BOLT M6×20	\$1.63
25	11330-F39-0000	clutch protector bracket	\$94.03
26	90801-F39-0000	PIN 10×16	\$0.94
27	GB/T 5789-1986	FLANGE BOLT M6×30	\$0.84
28	GB/T 5789-1986	FLANGE BOLT M6×40	\$0.75
29	GB/T 276-1994	BEARING 6201RD	\$15.19
30	91101-F12-0000	OIL SEAL 12×32×6	\$2.16
31	11331-F12-0000	oil seal PLATE	\$1.98
32	GB/T 16674-1996	FLANGE BOLT M6×12	\$0.73
33	37180-F12-0000	gearshift switch	\$12.18
34	90603-F12-0000	gasket 10×16×1	\$0.75
35	37120-F39-0000	gearshift indicator	\$14.31
36	91208-F39-0000	o-seal ring 29.6×2.4	\$3.49
37	GB/T 9074.14-88	gasket M6×16	\$2.03
38	36500-F39-0000	speed sensor	\$29.07
39	91209-F39-0000	o-seal ring 14.8×2.45	\$3.29

POWERMAX CANADA 500 ROUGH-RIDER UTV



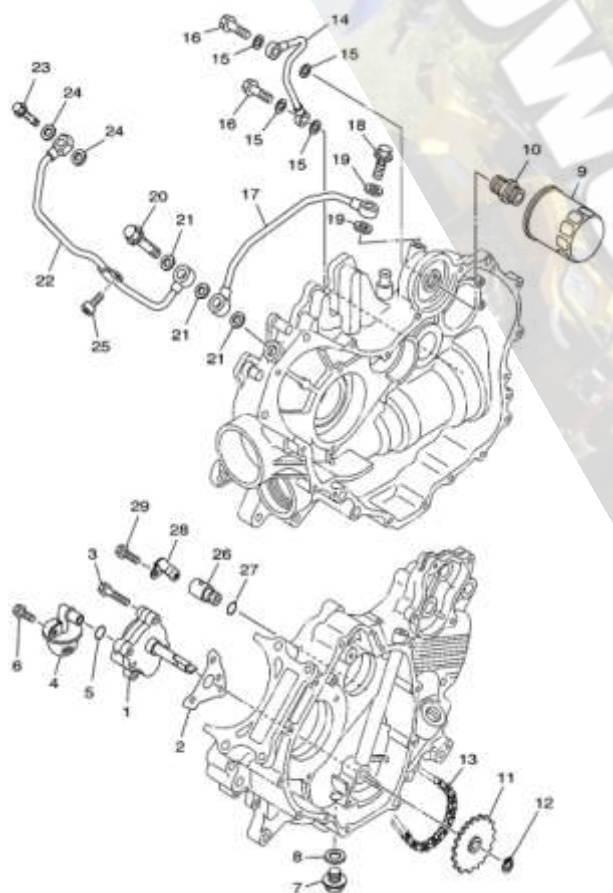
40	GB/T 70.1-2000	bolt M6×16	\$0.73
CRANKCASE COVER 1			
No.	Part No.	Part Name And Standard	Unit Price
1	11321-F39-0000	left front cover	\$95.10
2	11323-F39-0000	GASKET,left front cover	\$9.64
3	91501-F39-0000	CLAMP I	\$4.84
4	91601-F39-0000	clip I	\$3.36
5	90803-F11-0000	PIN 10×15.7	\$1.09
6	GB/T 16674-1996	FLANGE BOLT M6×30	\$0.94
7	11303-F39-0000	rubber bush II	\$0.82
8	GB/T 16674-1996	FLANGE BOLT M6×40	\$0.55
9	11322-F39-0000	PLATE	\$5.97
10	GB/T 16674-1996	FLANGE BOLT M6×14	\$0.33
11	GB/T 276-1994	BEARING 60/28	\$17.41
12	91103-F12-0000	OIL SEAL 28×52×8.2	\$8.85
13	11324-F39-0000	oil seal plate	\$5.87
14	GB/T819.1-2000	SCREW M5×16	\$2.35
15	11325-F39-0000	eyesight cover	\$5.20
16	91201-F12-0000	O-RING 13.6×2.2	\$1.44
17	11450-F39-0000	clutch housing assy	\$50.58
18	11411-F39-0000	seal right of clutch housing I	\$14.01
19	11412-F39-0000	seal right of clutch housing II	\$5.78
20	GB/T 5789-1986	FLANGE BOLT M6×30	\$0.98
21	11400-F39-0000	clutch housing assy	\$64.47
22	11413-F39-0000	seal ring,clutch housing	\$16.93
CRANKCASE COVER 1			
No.	Part No.	Part Name And Standard	Unit Price
23	GB/T 5789-1986	FLANGE BOLT M6×25	\$0.94
24	GB/T 5789-1986	FLANGE BOLT M6×16	\$0.93
25	11402-F39-0000	rubber bush I	\$2.22
26	11403-F39-0000	PLUG of clutch cover	\$1.82
27	11331-F39-0000	decorative cover	\$42.77
28	GB/T 5789-1986	bolt M6×20	\$0.93
29	11341-F39-0000	oil gauge cover	\$8.51

POWERMAX CANADA 500 ROUGH-RIDER UTV



6	90606-F39-0000	gasket 26×38×0.1	\$0.77
6	90606-F39-0000	gasket 26×38×0.15	\$1.67
6	90606-F39-0000	gasket 26×38×0.2	\$1.07
6	90606-F39-0000	gasket 26×38×0.4	\$1.07
6	90606-F39-0000	gasket 26×38×0.5	\$1.17
6	90606-F39-0000	gasket 26×38×0.3	\$1.15
7	GB/T 6172.1-2000	NUT M22	\$13.36
8	22141-F39-0000	drive gear	\$71.93
9	22150-F18-0000	driven gear	\$138.63
10	GB/T 276-1994	BEARING 63/22	\$33.66
11	22158-F39-0000	lock ring M60	\$12.78
12	GB/T 276-1994	BEARING 6207	\$27.13
13	91106-F12-0000	OIL SEAL 35×52×8	\$9.74
14	22181-F18-0000	gimbal assy	\$69.54
15	90607-F39-0000	WASHER 16.5×28×4	\$5.09
16	90301-F39-0000	self-lock NUT M16	\$10.17
17	91206-F39-0000	O-RING 90×3	\$7.06
MIDDLE DRIVE GEAR			
No.	Part No.	Part Name And Standard	Unit Price
18	GB/T 9074.14-88	BOLT M8×30	\$1.67
19	22151-F18-0000	bearing housing, Y-output shaft	\$58.11
20	22152-F39-0000	adjusting washer 0.1	\$6.07
20	22152-F39-0000	adjusting washer 0.15	\$5.51
20	22152-F39-0000	adjusting washer 0.2	\$4.07
20	22152-F39-0000	adjusting washer 0.3	\$4.07
20	22152-F39-0000	adjusting washer 0.4	\$4.07
20	22152-F39-0000	adjusting washer 0.5	\$4.07
20	22152-F39-0000	adjusting washer 0.6	\$4.07
21	22156-F18-0000	Y-output shaft	\$62.13
22	GB/T 276-1994	BEARING 6205	\$12.34
23	22191-F39-0000	front drive shaft	\$60.17
24	90607-F12-0000	WASHER 14.5×32×4	\$5.17
25	90301-F12-0000	SELF-LOCKING NUT M14	\$5.14
26	22159-F12-0000	lock ring M55	\$31.62
27	91103-F39-0000	OIL SEAL 44×60×7	\$8.19
CLUTCH			

POWERMAX CANADA 500 ROUGH-RIDER UTV



18	GB/T 5789-1986	bolt M6×35	\$0.24
19	91111-F39-0000	15×25×5	\$5.97
20	23311-F39-0000	side cover, gearshift arm	\$18.07
21	23312-F39-0000	side cover, gearshift	\$4.10
22	91602-F39-0000	line clip II	\$3.40
23	GB/T 16674-1996	bolt M6×20	\$0.73
24	GB/T 16674-1996	bolt M6×30	\$0.84
25	90803-F39-0000	locating pin8×11.7	\$0.59

OIL PUMP

No.	Part No.	Part Name And Standard	Unit Price
1	15100-F39-0000	OIL PUMP ASSY	\$74.73
2	15101-F39-0000	paper pad, PUMP COVER	\$0.82
3	GB/T 16674-1996	BOLT, M6×40	\$0.45
4	15300-F39-0000	oil filter net	\$33.34
5	91210-F39-0000	O-RING 14×2.3	\$0.92
6	GB/T 16674-1996	FLANGE BOLT M6×14	\$0.21
7	GB/T 5789-1986	oil release plug	\$3.19
8	90612-F39-0000	GASKET	\$0.79
9	15200-F39-0000	oil filter assy	\$13.08
10	15201-F39-0000	oil filter connector	\$20.69
11	15202-F39-0000	driven sproket wheel,oil pump	\$23.39
12	90703-F39-0000	CIRCLIP 11	\$0.83
13	04CH-70	oil pump chain	\$16.65
14	15301-F39-0000	oil pipe I	\$18.62
15	90612-F39-0000	GASKET B8	\$0.86
16	15304-F39-0000	BOLT I M8×20	\$2.27
17	15302-F39-0000	oil pipe II	\$26.62
18	15305-F39-0000	BOLT II M14×28.5	\$4.43
19	90609-F39-0000	GASKET 14×20×1.5	\$2.17
20	15307-F39-0000	BOLT IV M14×50	\$8.60
21	90609-F39-0000	GASKET 14×20×1.5	\$2.17
22	15303-F39-0000	oil pipe III	\$31.10

OIL PUMP

No.	Part No.	Part Name And Standard	Unit Price
23	15306-F39-0000	BOLT III M10×21	\$2.19
24	90614-F39-0000	GASKET 10×16.2×1.2	\$2.11
25	GB/T 70.1-2000	screw M6×12	\$0.63
26	15360-F39-0000	one-way valve assy	\$16.62
27	91211-F39-0000	O-RING 10×2.45	\$1.34
28	15361-F39-0000	PLATE	\$1.16
29	GB/T 16674-1996	BOLT M6×12	\$0.43

