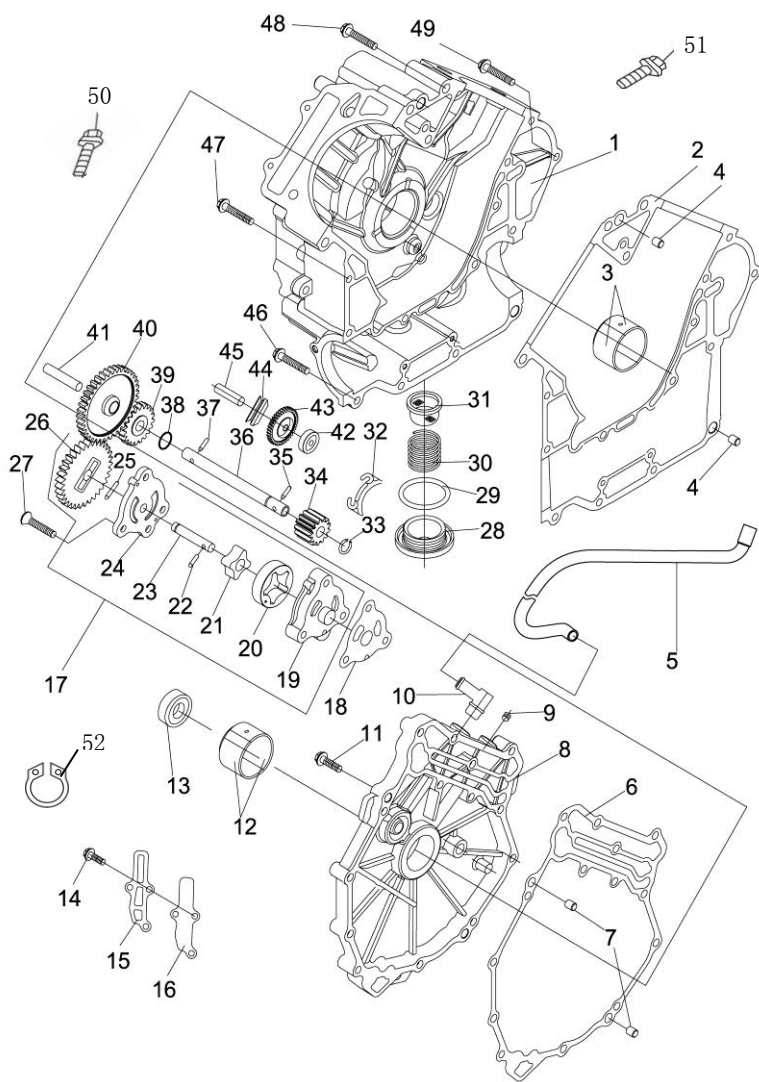


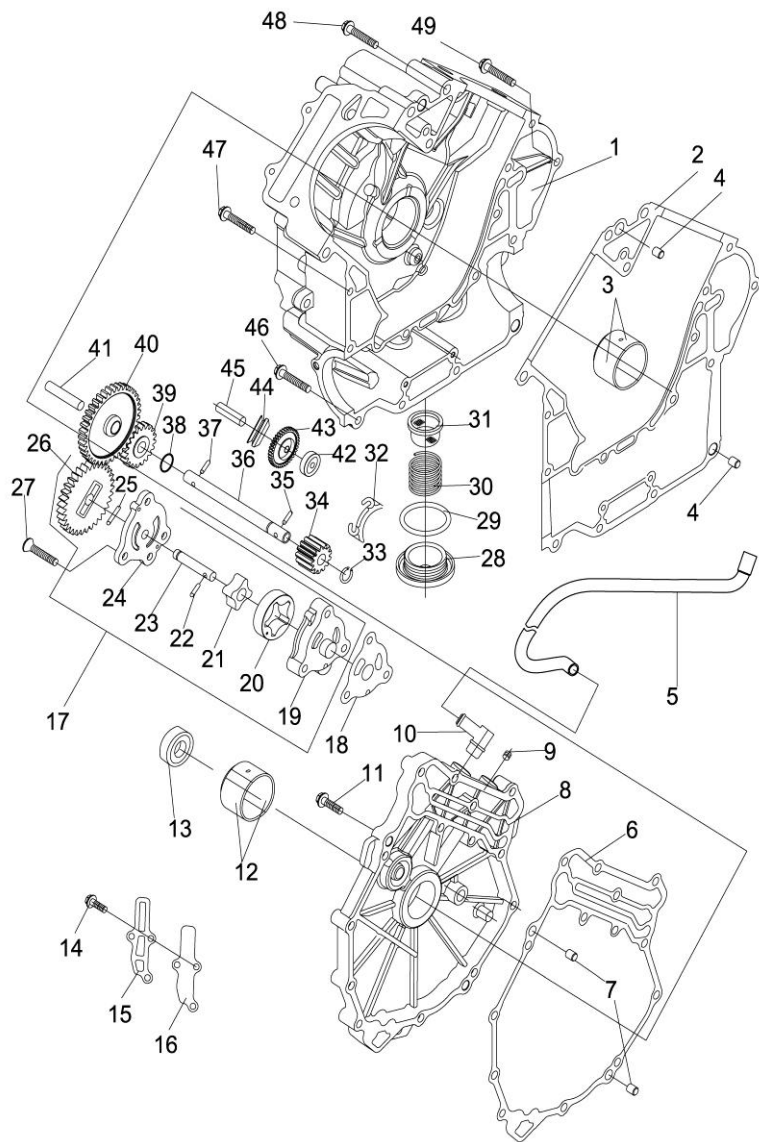


## Powermax G-Force Engine 800 2010



Crank Case			
NO.	Part No.	Part Name And Standard	Q' ty
1	11200-F68-0000	Right Crankcase Assy	1
2	11101-F68-0000	Gasket	1
3	92201-F68-0000	Crankshaft Bearing RB9173KL/RB9173KU	2
4	90803-F68-0000	Pin $\phi 10 \times 15.8$	2
5	18630-F68-0000	Exhaust Pipe	1
6	21241-F68-0000	Gasket	1
7	90802-F68-0000	Pin $\phi 8 \times 11.8$	2
8	11400-F68-0000	Right Crankcase Cover	1
9	92007-F68-0000	Crankcase Block	1
10	11402-F68-0000	air tap,Crankcase	1
11	5787-6-30	Bolt M6 $\times$ 30	15
12	92202-F68-0000	Crankshaft Bearing MB9340KS-STD, Right Cr	2
13	91104-F68-0000	Oil seal $\phi 34 \times \phi 52 \times 7$	1
14	5789-6-15	Bolt M6 $\times$ 15	3
15	15307-F68-0000	Plate Valve piece	1
16	15306-F68-0000	Valve piece	1
17	15100-F68-0000	Oil Pump Assy	1
18	15101-F68-0000	Gasket, Oil Pump	1
19	15110-F68-0000	Fuel pump	1
20	15130-F68-0000	Outer Rotor	1
21	15140-F68-0000	Inner Rotor	1
22	15141-F68-0000	Pin $\phi 4 \times 16$	1

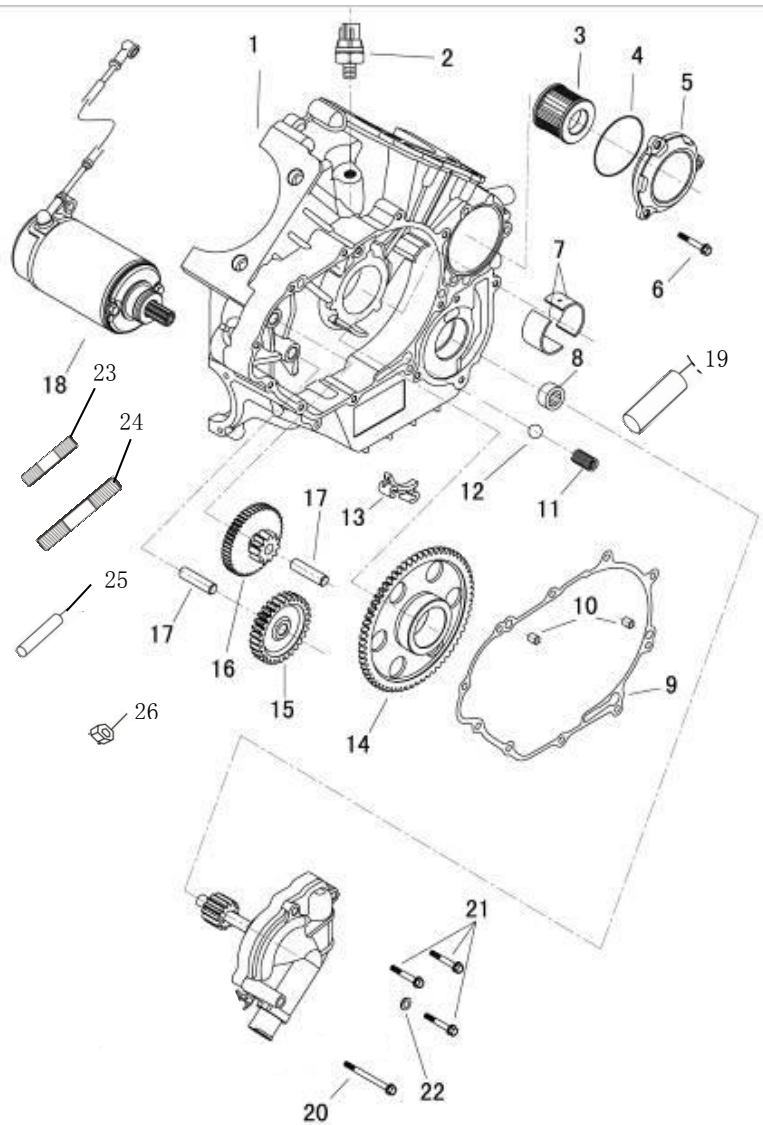
# Powermax G-Force Engine 800 2010



Crank Case			
NO.	Part No.	Part Name And Standard	Q' ty
23	15150-F68-0000	Shaft,Oil pump	1
24	15120-F68-0000	Cover,Oil pump	1
25	19713-F68-0000	Pin	1
26	15161-F68-0000	Gear,Oil pump	1
27	819-6-30	Bolt M6×30	3
28	11107-F11-0000	cap nut	1
29	91205-F11-0000	O-ring Gasket φ36×3.5	1
30	14761-F68-0000	Spring	1
31	15203-F11-0000	Oil Filter Net	1
32	14631-F68-0000	Plate,Chain	1
33	90710-F68-0000	Circlip φ10	1
34	19714-F68-0000	Gear,Water pump II	1
35	19712-F68-0000	Pin φ4×21	1
36	19709-F68-0000	Shaft φ10×171, water pump	1
37	19712-F68-0000	Pin φ4×21	1
38	90601-F68-0000	Washer φ10.3×φ17×φ1	1
39	19722-F68-0000	Gear,Water pump I	1
40	15160-F68-0000	Gear,Oil Pump	1
41	31230-F68-0000	Shaft φ10×50	1
42	276-6200RS	Bearing 6200RS	1
43	15320-F68-0000	Separator(fuel&air) Assy	1
44	91214-F68-0000	V Gasket (PK-VS-002)	1



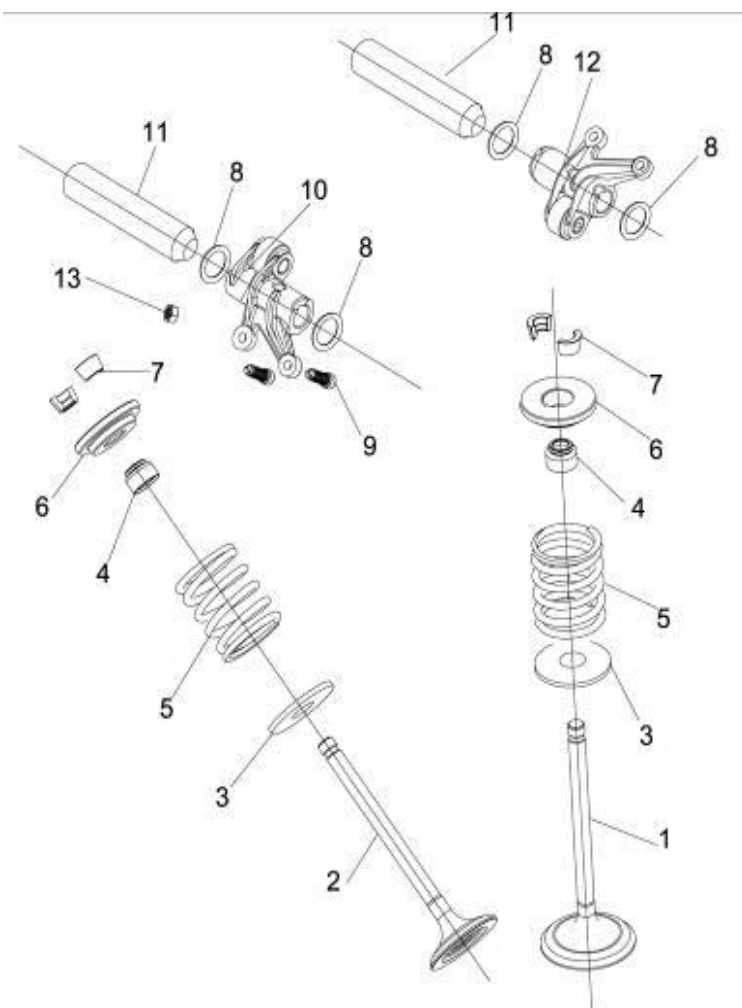
## Powermax G-Force Engine 800 2010



NO.	Part No.	Part Name And Standard	Q' ty
1	11100-F68-0000	Left Crankcase Assy	1
2	15308-F68-0000	Sensor, oil pressure	1
3	15210-F68-0000	Element Assy Oil Cleaner	1
4	91204-F68-0000	O-ring $\phi 61.5 \times 2.4$	1
5	15201-F68-0000	Cover, Element Assy Oil Cleaner	1
6	5787-6-20	Bolt M6 $\times$ 20	3
7	92201-F68-0000	Crankshaft Bearing RB9173KL/RB9173KU	1
8	276-1010	Bearing 1010	1
9	11323-F68-0000	Gasket, Left Crankcase Cover	1
10	90802-F68-0000	Pin $\phi 8 \times 11.8$	2
11	16363-F68-0000	Spring, Relief Valve	1
12	15361-F68-0000	Steel Ball, Relief Valve SR11.2	1
13	14631-F68-0000	Plate, Chain	1
14	31240-F68-0000	Plate-shaped Gear	1
15	31210-F68-0000	Middle Gear	1
16	31220-F68-0000	Pair Gearwheel	1
17	31230-F68-0000	Shaft $\phi 10 \times 50$	2
18	31200-F68-0000	Starting motor	1
19	16373-F68-0000	Valve Bushing	1
20	5787-6-65	Bolt M6 $\times$ 65	1
21	5787-6-40	Bolt M6 $\times$ 40	3
22	90615-F68-0000	Washer $\phi 6.5 \times \phi 12 \times 1.5$	1
23	92004-F68-0000	Stud Bolt M10 $\times$ 59	1
24	92005-F68-0000	Stud Bolt M10 $\times$ 75	1

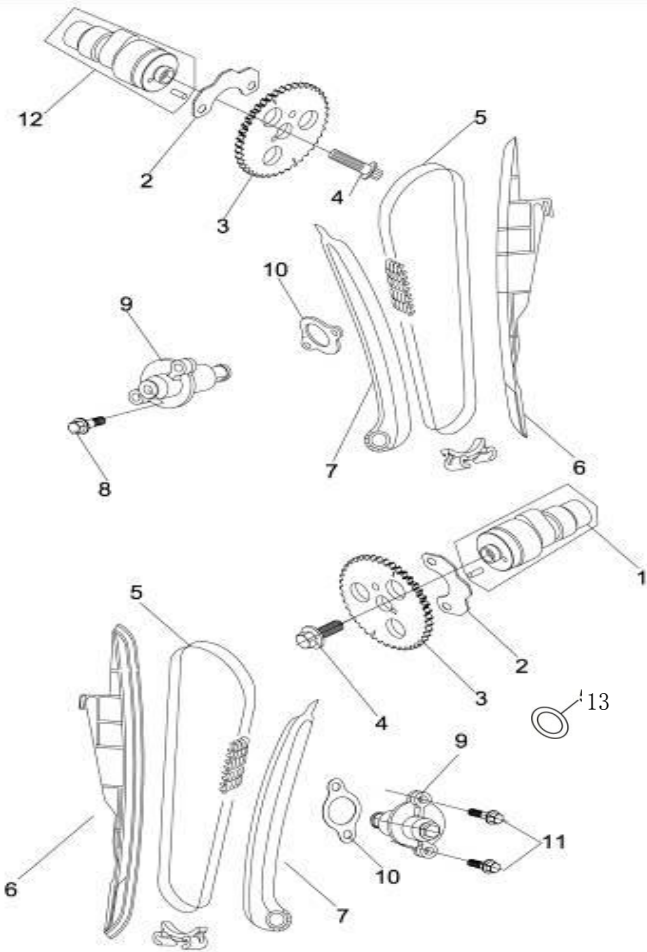


## Powermax G-Force Engine 800 2010



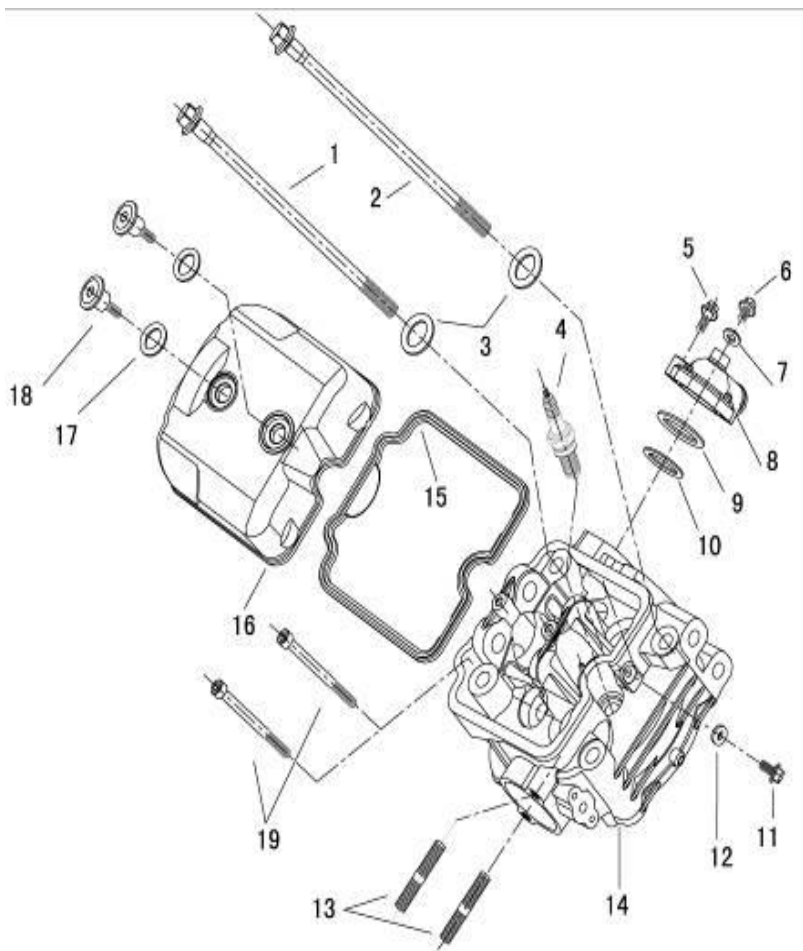
Valves			
NO.	Part No.	Part Name And Standard	Q' ty
1	14721-F68-0000	Exhaust Valve	4
2	14711-F68-0000	Intake Valve	4
3	14775-F68-0000	Seat Ring, Valve Spring	8
4	91218-F68-0000	Seal Valve Stem	8
5	14750-F68-0000	Spring, Valve	8
6	14782-F68-0000	Seat Valve	8
7	14781-F68-0000	Cotter Valve	16
8	90611-F68-0000	Washer $\phi 12.5 \times \phi 17 \times 0.5$	8
9	14432-F68-0000	adjusting screw, Valve	8
10	14430-F68-0000	Inlet Pipe Rocker Assy	2
11	14451-F68-0000	Shaft, Rocker	4
12	14440-F68-0000	Outlet Pipe Rocker Assy	2
13	14433-F68-0000	Adjust Nut	8

# Powermax G-Force Engine 800 2010



CAMSHAFT CHAIN			
NO.	Part No.	Part Name And Standard	Q' ty
1	14110-F68-0000	Camshaft I	1
2	14101-F68-0000	Station Plate,Camshaft	2
3	14321-F68-0000	Timing Driven Sprocket	2
4	5783-10-20-1.25	Bolt M10×20×1.25	2
5	M7-6.35-112	Timing Chain	2
6	14630-F68-0000	Guide Plate	2
7	14520-F68-0000	Tensioner Plate	2
8	5789-6-10	Bolt M6×10	2
9	14500-F39-0000	Tensioner Assy	2
10	14508-F68-0000	Gasket ,Tensioner Assy	2
11	5787-6-25	Bolt M6×25	4
12	14120-F68-0000	Camshaft II	1
13	90619-F11-0000	Washer φ10.5×22×2.5	2

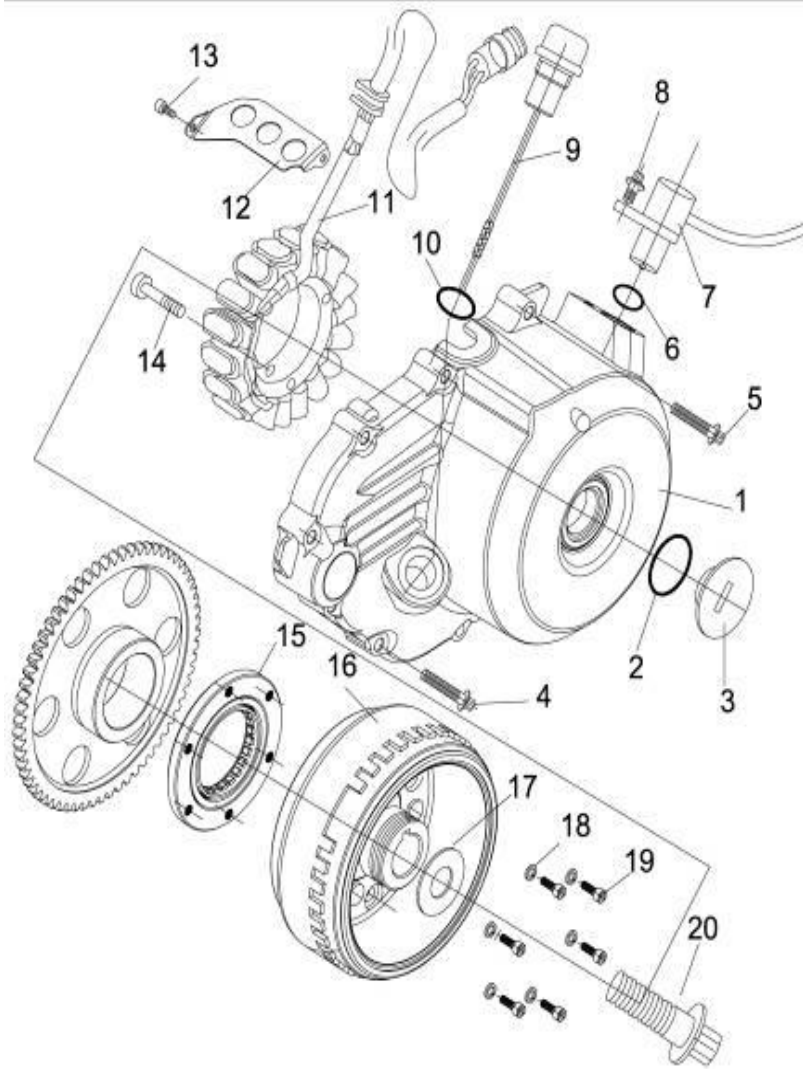
## Powermax G-Force Engine 800 2010



### CYLINDER HEAD

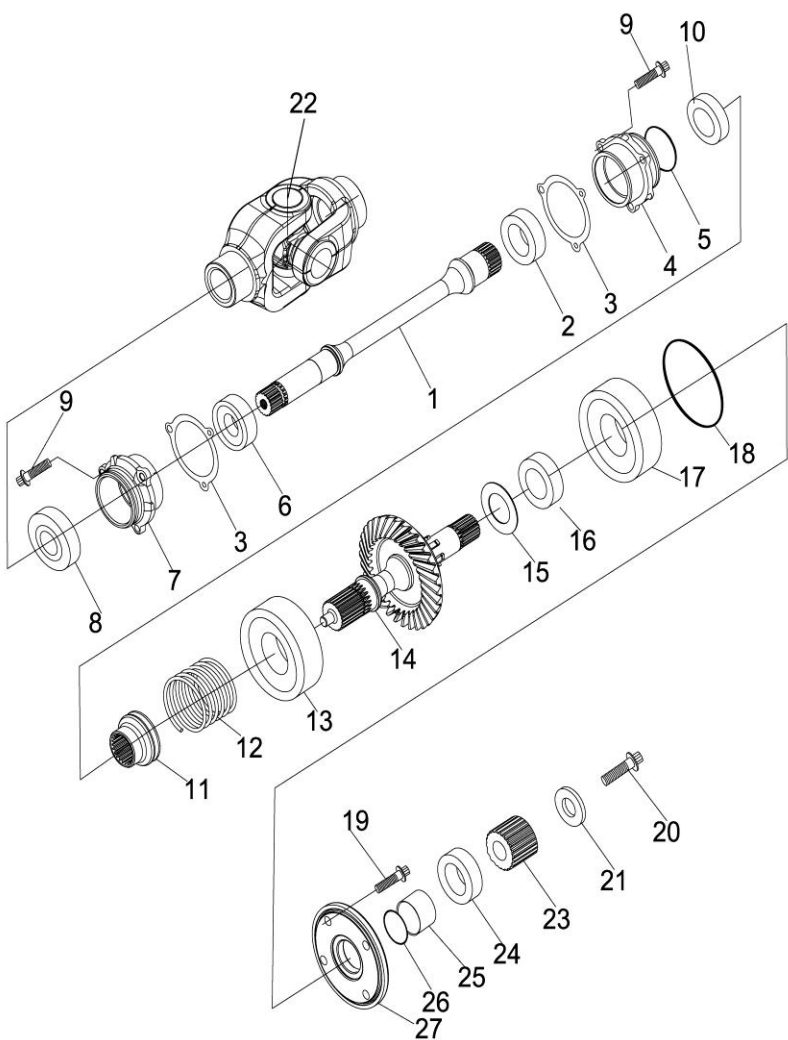
NO.	Part No.	Part Name And Standard	Q' ty
1	90031-F68-0000	Bolt A M10×1.25-175	4
2	90032-F68-0000	Bolt B M10×1.25-145	4
3	90604-F39-0000	Washer φ10×φ20×2	8
4	33300-F68-0000	Spark plug NGK DCPR7E	2
5	25/06/5787	Bolt M6×25	2
6	12/06/5787	Bolt M6×12	2
7	90615-F68-0000	Washer φ6×φ10×1	2
8	19410-F68-0000	Thermostat Cover	1
10	90610-F68-0000	Washer φ20.5×φ30×1	1
11	12/06/5787	Bolt M6×12	2
12	90615-F68-0000	Washer φ6×φ12×1.5	2
13	92003-F68-0000	Stud Bolt M8×42	4
14	12200-F68-0000	Cylinder Head Assy	2
15	91215-F68-0000	Gasket, Cylinder Cover	2
16	12301-F68-0000	Cylinder Head cover	2
17	91105-F68-0000	Gylinder Cover Pad	2
18	90133-F68-0000	Bolt M6×12	4
19	70.1-6-85	Bolt M6×80	4

## Powermax G-Force Engine 800 2010



Stator Starter Clutch			
NO.	Part No.	Part Name And Standard	Q' ty
1	11300-F68-0000	Left Crankcase Cover	1
2	91210-F68-0000	O-ring $\phi 24 \times 2.5$	1
3	91211-F68-0000	inspection cover	1
4	5787-6-30	Bolt M6x35	8
5	5787-6-40	Bolt M6x35	2
6	91220-F68-0000	O-ring $\phi 18 \times \phi 1.8$	1
7	36500-F68-0000	Sensor, Crankcase location	1
8	5787-6-14	Bolt M6x14	1
9	15651-F68-0000	Oil Ruler	1
10	91210-F11-0000	O-ring $\phi 19 \times 2.5$	1
11	31100-F68-0000	Stator Assy	1
12	11322-F68-0000	Clip, Generator	1
13	818-5-10	Bolt M4x8	2
14	5787-6-35	Bolt M6x35	3
15	31250-F68-0000	Sprag Clutch	1
16	31101-F68-0000	Rotor Assy	1
17	90603-F68-0000	Washer $\phi 17.2 \times \phi 30 \times 3$	1
18	90628-F11-0000	spring washer $\phi 8$	6
19	70.1-8-25	Bolt M8x16	6
20	5783-16-35	Bolt M16x35	1

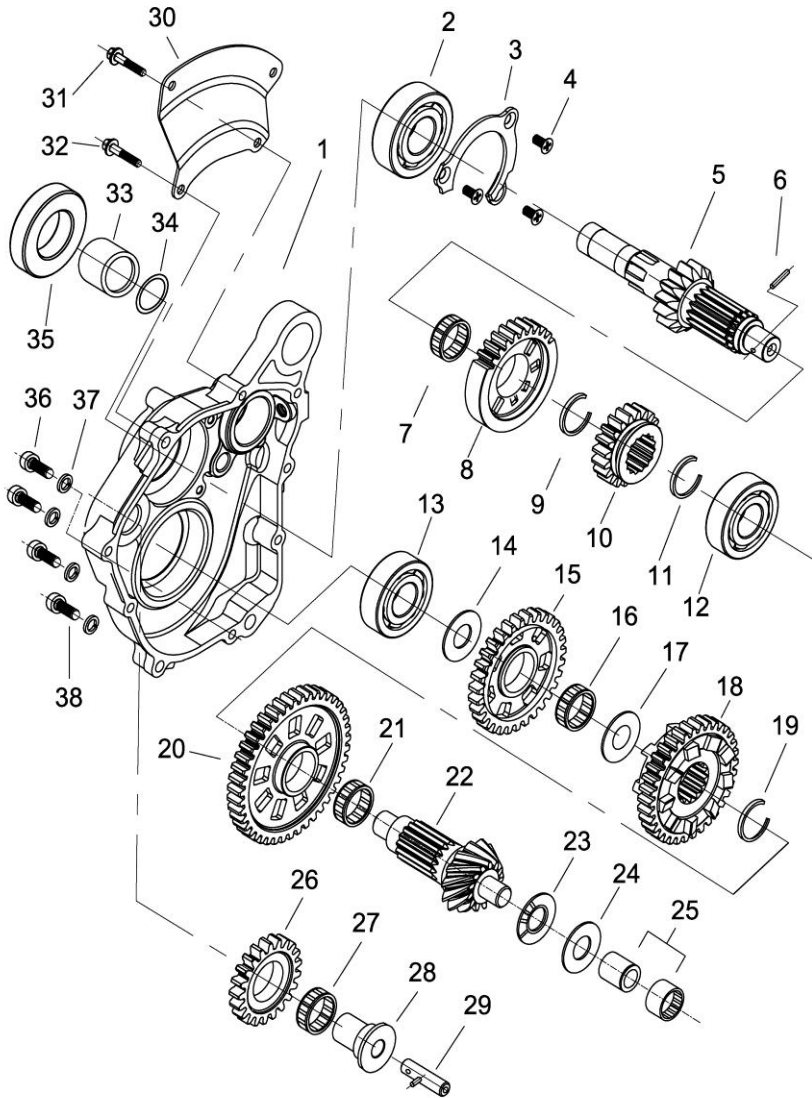
## Powermax G-Force Engine 800 2010



Center Drive Shaft			
NO.	Part No.	Part Name And Standard	Q' ty
1	22157-F68-0000	Output Shaft Y-2	1
2	276-6906	Bearing 6906	1
3	91226-F68-0000	Gasket.,Shaft seat	2
4	22151-F68-0000	Bearing Seat, middle drive	1
5	91209-F68-0000	O-ring $\phi 51 \times 2.4$	1
6	276-6005	Bearing 6005/P6	1
7	22151-F68-0000	Bearing Seat, middle drive	1
8	91103-F68-0000	Fuel seal $\phi 25 \times \phi 47 \times 7$	1
9	5787-6-22	Bolt M6 $\times$ 22	6
10	91101-F68-0000	Fuel seal $\phi 30 \times \phi 47 \times 7$	1
11	31221-F68-0000	4 drive combine cover	1
12	22159-F68-0000	Spring	1
13	276-6206	Bearing 6206	1
14	22156-F68-0000	Output Shaft Y-1	1
15	90606-F68-0000	Washer $\phi 31.2 \times \phi 47 \times S$	随机
16	22154-F68-0000	Collar $\phi 30 \times \phi 42 \times 22.5$	1
17	276-6305/CM	Bearing 6305/CM	1
18	91201-F18-0000	O-ring $\phi 90 \times 3$	1
19	5787-6-25	Bolt M8 $\times$ 25	4
20	5787-10-30-1.25	Bolt M10 $\times$ 25 $\times$ 1.25	1
21	90608-F11-0000	Washer $\phi 10 \times \phi 32 \times 5$	1
22	22160-F39-0000	Universal joint assy	1

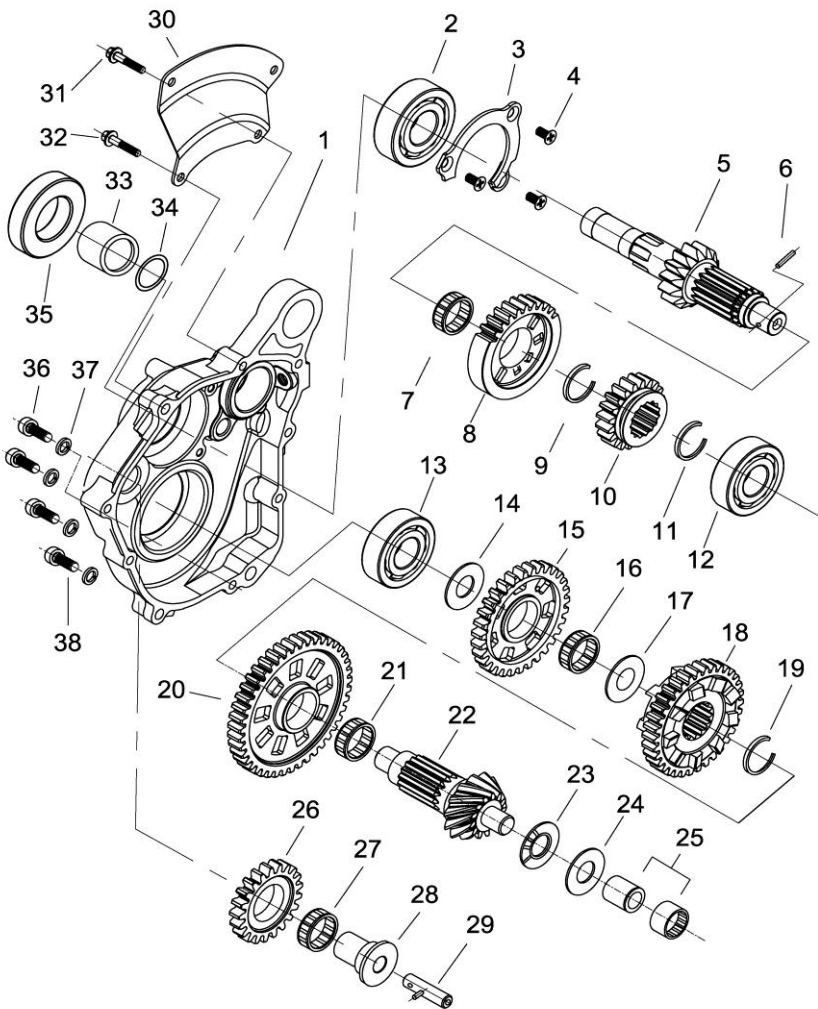


# Powermax G-Force Engine 800 2010



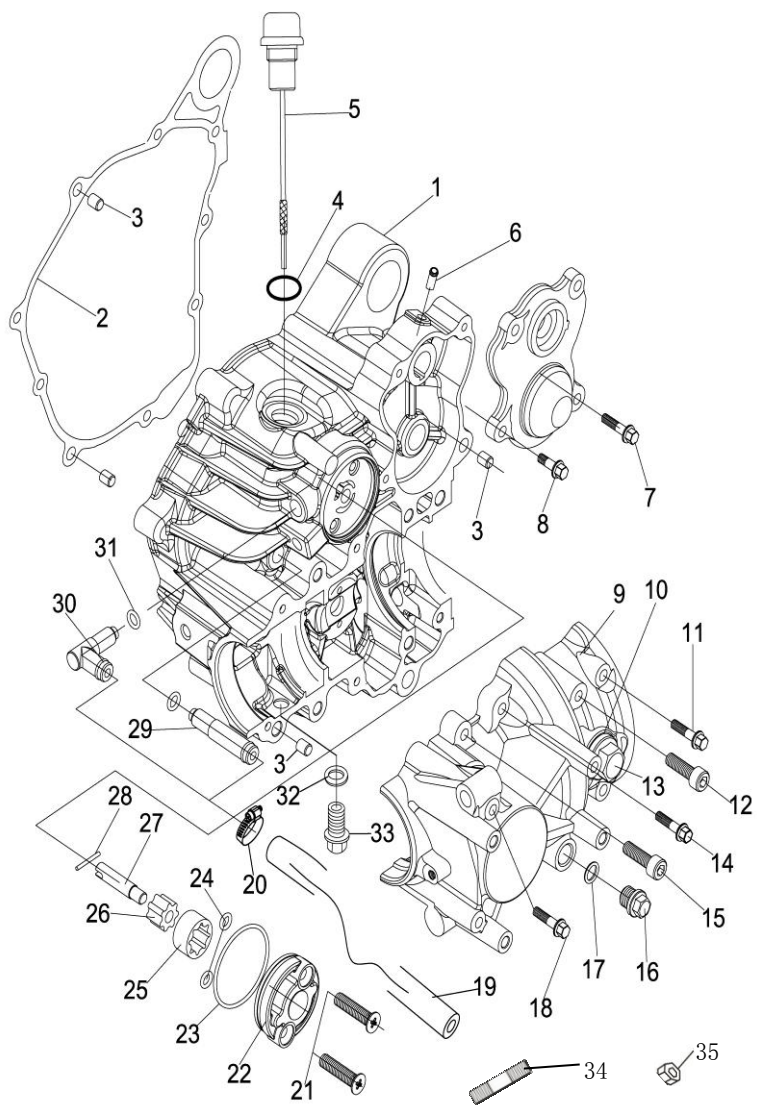
Transmission			
NO.	Part No.	Part Name And Standard	Q' ty
1	22720-F68-0000	Cover,Gear case	1
2	276-6305/C3	Bearing 6305/C3	1
3	22729-F68-0000	Bearing Press Plate 25×29×12.6	1
4	819-6-12	Bolt M6×12	3
5	22211-F68-0000	Main Shaft	1
6	22739-F68-0000	Pin φ2×18	1
7	92301-F68-0000	Needle Bearing 25×29×12.6	1
8	22212-F68-0000	Drive Gear (H Gear)	1
9	22230-F68-0000	Circlip φ27×φ32×2	1
10	22213-F68-0000	Drive Gear (L Gear)	1
11	22230-F68-0000	Circlip φ27×φ32×2	1
12	276-6204 RS	Bearing 6204 RS	1
13	276-6403	Bearing 6403	1
14	22231-F68-0000	Washer φ17.3×φ34×1.5	1
15	22224-F68-0000	Driven Gear (R Gear)	1
16	92301-F68-0000	Needle Bearing 25×29×12.6	1
17	22233-F68-0000	Washer φ25.4×φ33×1	1
18	22222-F68-0000	Driven Gear ( H Gear )	1
19	22230-F68-0000	Circlip φ27×φ32×2	1
20	22223-F68-0000	Driven Gear (L Gear)	1
21	92302-F68-0000	Needle Bearing 25×29×9.6	1
22	22221-F68-0000	Counter Shaft	1

# Powermax G-Force Engine 800 2010



Transmission			
NO.	Part No.	Part Name And Standard	Q' ty
23	92303-F68-0000	Needle Bearing AXK15×28×2	1
24	22231-F68-0000	Washer φ15.3×φ32×1.5	1
25	22225-F68-0000	Bushing φ15×φ19×16	1
25	276- NBI19-27-16	Needle Bearing NBI19×27×16	1
26	22242-F68-0000	Idle Gear (R gear)	1
27	92302-F68-0000	Needle Bearing 25×29×9.6	1
28	22241-F68-0000	Idle Gear Shaft(R gear)	1
29	22511-F68-0000	Shaft, φ12×55	1
30	21401-F68-0000	Seat Bracket,Clutch Cover	1
31	5787-6-35	Bolt M6×35	2
32	5787-6-45	Bolt M6×45	2
33	22215-F68-0000	Bushing φ25×φ32×18.3	1
34	91205-F68-0000	O-ring Gasket 25×2.4	1
35	91102-F68-0000	Oil Seal 32×47×7	1
36	70.1-8-45	Bolt M8×45	3
37	90628-F11-0000	spring washer φ8	4
38	70.1-8-45	Bolt M8×40	1

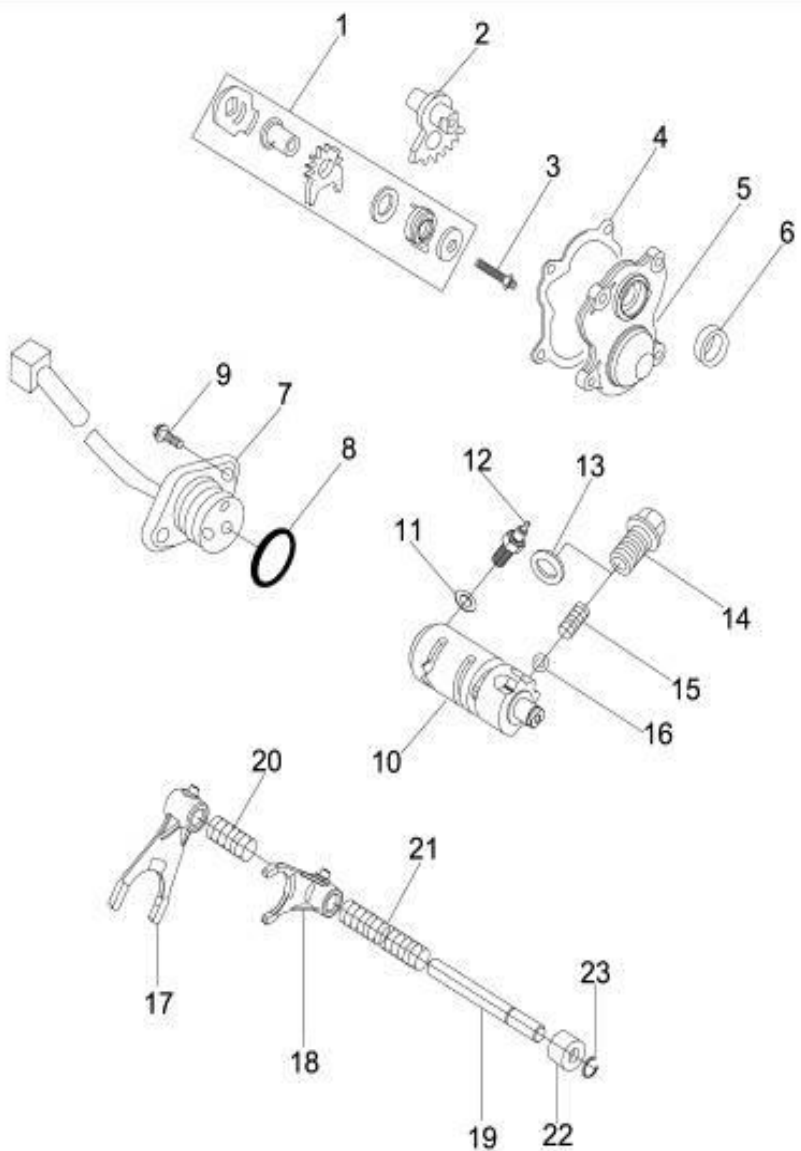
# Powermax G-Force Engine 800 2010



Transmission Case			
NO.	Part No.	Part Name And Standard	Q' ty
1	22710-F68-0000	Gear Box	1
2	22711-F68-0000	Gasket, Gear-box	1
3	90802-F68-0000	Pin $\phi 10 \times 14$	4
4	91210-F11-0000	O-ring Gasket $\phi 19 \times \phi 2.5$	1
5	15651-F68-0000	Oil Ruler	1
6	25162-F68-0000	Exhaust Cock	1
7	5787-6-35	Bolt M6 $\times$ 25	3
8	5787-6-15	Bolt M6 $\times$ 20	1
9	22730-F68-0000	Cover, Gear Case	1
10	91216-F39-0000	O-ring Gasket $\phi 20 \times 2$	1
11	5787-6-55	Bolt M6 $\times$ 55	2
12	70.1-8-55	Bolt M8 $\times$ 55	2
13	16674-20-12-1.25	Bolt M20 $\times$ 12 $\times$ 1.25	1
14	5787-6-30	Bolt M6 $\times$ 30	2
15	70.1-8-30	Bolt M8 $\times$ 30	2
16	5787-12-15-1.25	Bolt M12 $\times$ 15 $\times$ 1.25	1
17	90616-F68-0000	Washer $\phi 12 \times \phi 20 \times 2$	1
18	5787-6-85	Bolt M6 $\times$ 85	2
19	90402-F68-0000	Oil pipe	2
20	90406-F68-0000	Clip 11/20	2
21	5787-6-30	Bolt M6 $\times$ 30	2
22	13508-F68-0000	Oil Pump	1



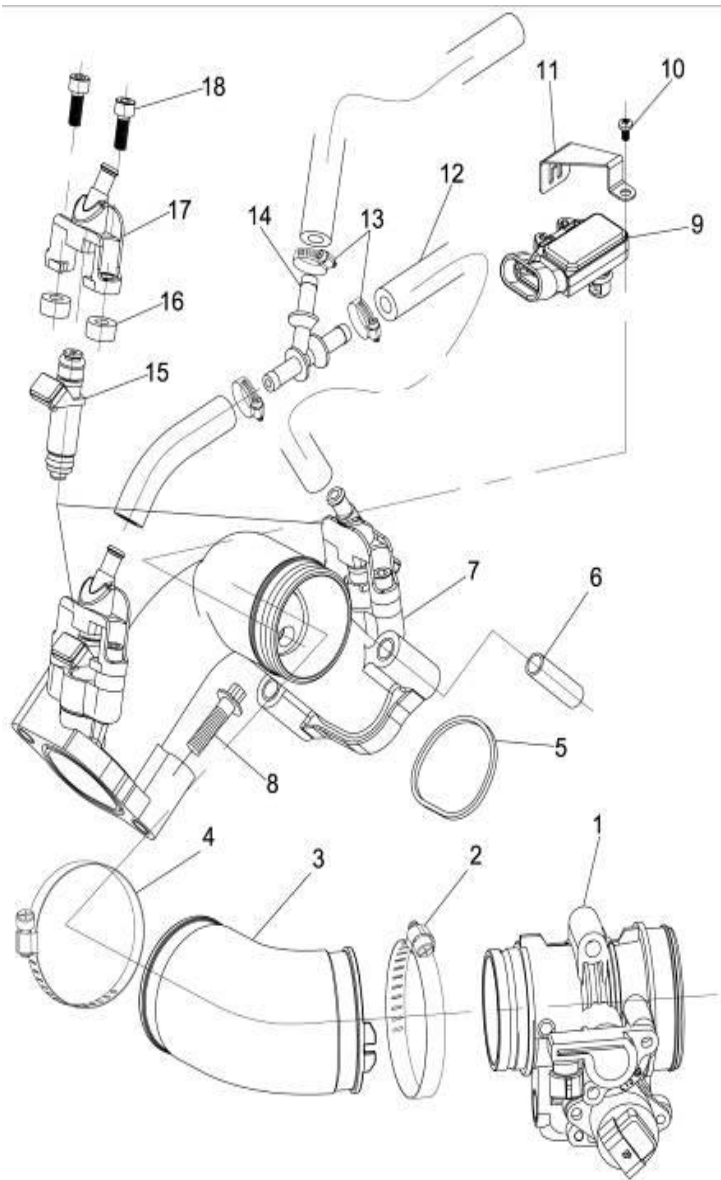
## Powermax G-Force Engine 800 2010



NO.	Part No.	Part Name And Standard	Q' ty
1	23320-F68-0000	Driven Gear,Gear Shift	1
2	23330-F68-0000	Drive Gear,Gear Shift	1
3	5783-6-35	Hexagon Flang Bolt M6×35	1
4	23312-F39-0000	Side Cover Gasket, Gear Shift	1
5	23311-F39-0000	Side Cover, Gear Shift	1
6	91111-F12-0000	Oil Seal φ25×φ15×5	1
7	37120-F39-0000	Gearshift Indicator	1
8	91208-F39-0000	O-ring Gasket φ29.6×2.4	1
9	9074.14-6-16	Bolt M6×16, Gearshift Indicator	2
10	23200-F68-0000	Gearshift Drum Assy	1
11	90617-F11-0000	Washer φ10×φ16×1	1
12	37180-F12-0000	Gearshift Switch	1
13	90617-F39-0000	Washer φ14×φ22×1	1
14	23304-F12-0000	Bolt M14×21	1
15	23303-F12-0000	Spring	1
16	23302-F12-0000	Steel Ball SR9.5	1
17	23101-F68-0000	Fork, R Gear	1
18	23102-F68-0000	Fork, HL Gear	1
19	23103-F68-0000	Fork Shaft φ12×112.5	1
20	23105-F68-0000	Spring, H Gear	1
21	23104-F68-0000	Spring, L Gear	1
22	23106-F39-0000	Spring Seat	1
23	90702-F39-0000	Circlip φ12	2

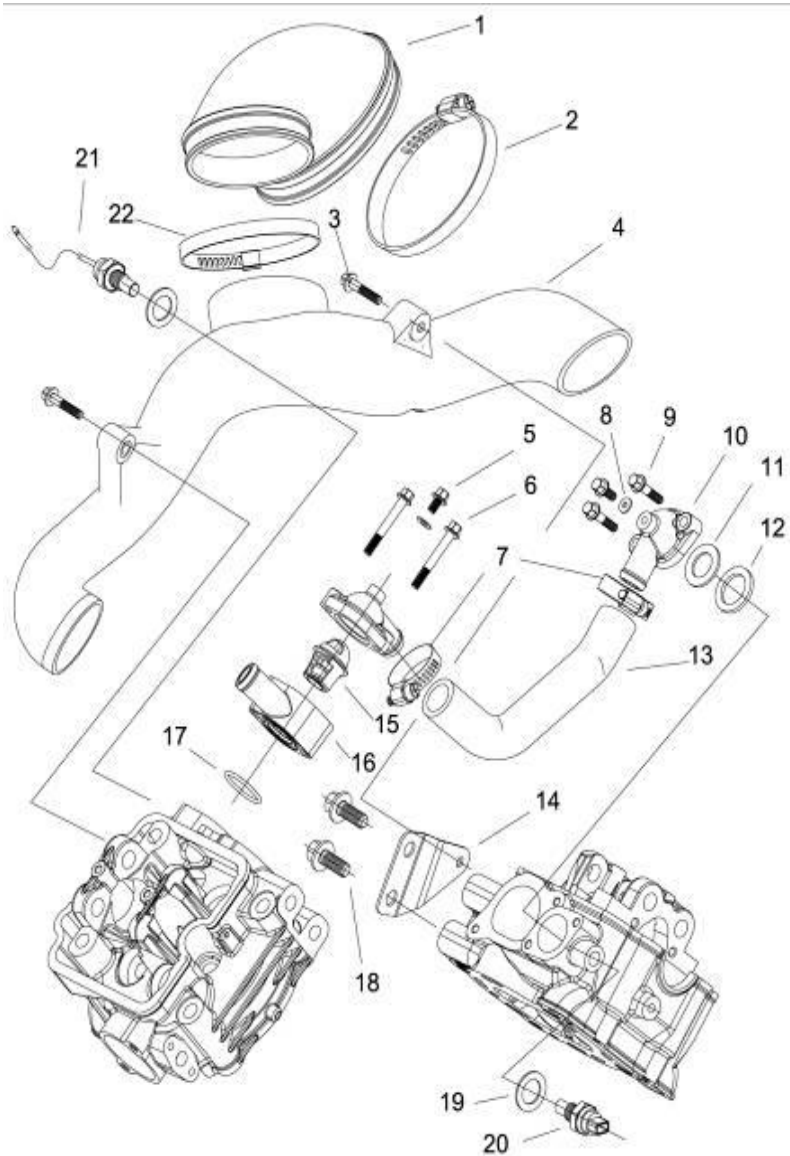


## Powermax G-Force Engine 800 2010



NO.	Part No.	Part Name And Standard	Q' ty
1	16100-F68-0000	Ducting, Dampers	1
2	90401-F39-0000	Clip 50-70	1
3	14801-F68-0000	Bent Pipe, Inlet Pipe	1
4	90401-F39-0000	Clip 50-70	1
5	91217-F68-0000	Washer, Inlet Pipe	2
6	14802-F68-0000	Bushing $\phi 8.5 \times \phi 11.2 \times 34$	4
7	14800-F68-0000	Intake Pipe Assy	1
8	5787-8-45	Bolt M8x45	4
9	16723-F68-0000	Inlet Temperature / Pressure Sensor	1
10	818-6-12	Bolt M4x8	3
11	11109-F68-0000	Pressure Plate TMAP	1
12	16501-F68-0000	Oil Pipe	2
13	90401-F68-0000	Oil Pipe Clip $\phi 14.8$	4
14	15305-F68-0000	Trifurcate Tube	1
15	16400-F68-0000	Fuel Injection	2
16	25160-F68-0000	Bushing $\phi 7 \times \phi 15 \times 6.5$	4
17	16430-F68-0000	Seat, Fuel Injection	2
18	70.1-6-22	Bolt M6x20	4

## Powermax G-Force Engine 800 2010



Head			
NO.	Part No.	Part Name And Standard	Q' ty
1	11406-F68-0000	Rubber cover of exhaust pipe	1
2	11403-F68-0000	Clip 80-110	1
3	5787-6-30	Bolt M6×30	2
4	11401-F68-0000	Clutch exhaust pipe	1
5	5787-6-12	Bolt M6×12	2
6	5787-6-50	Bolt M6×50	2
7	90405-F39-0000	Water Pipe Clip φ18~φ32	2
8	90615-F68-0000	Washer φ6×φ12×1.5	2
9	5787-6-25	Bolt M6×25	2
10	19410-F68-0000	Thermostat Cover	1
11	90610-F68-0000	Washer φ20.5×φ30×1	1
12	91213-F68-0000	Gasket 26.4×31.3×2.2	1
13	19270-F68-0000	Water Pipe	1
14	11209-F68-0000	CVT support board	1
15	19400-F68-0000	Thermostat	1
16	19420-F68-0000	Water Outlet Connector, Cylinder	1
17	91203-F68-0000	O-ring Gasket φ27×2.5	1
18	5787-10-16-1.25	Bolt M10×16×1.25	2
19	90613-F68-0000	Washer φ12.3×φ18×1.5	2
20	36550-F68-0000	water temperature sensor DELPHI15404280	1
21	36540-F39-0000	water temperature sensor	1
22	11405-F68-0002	Clip	1



# Powermax G-Force Engine 800 2010

|