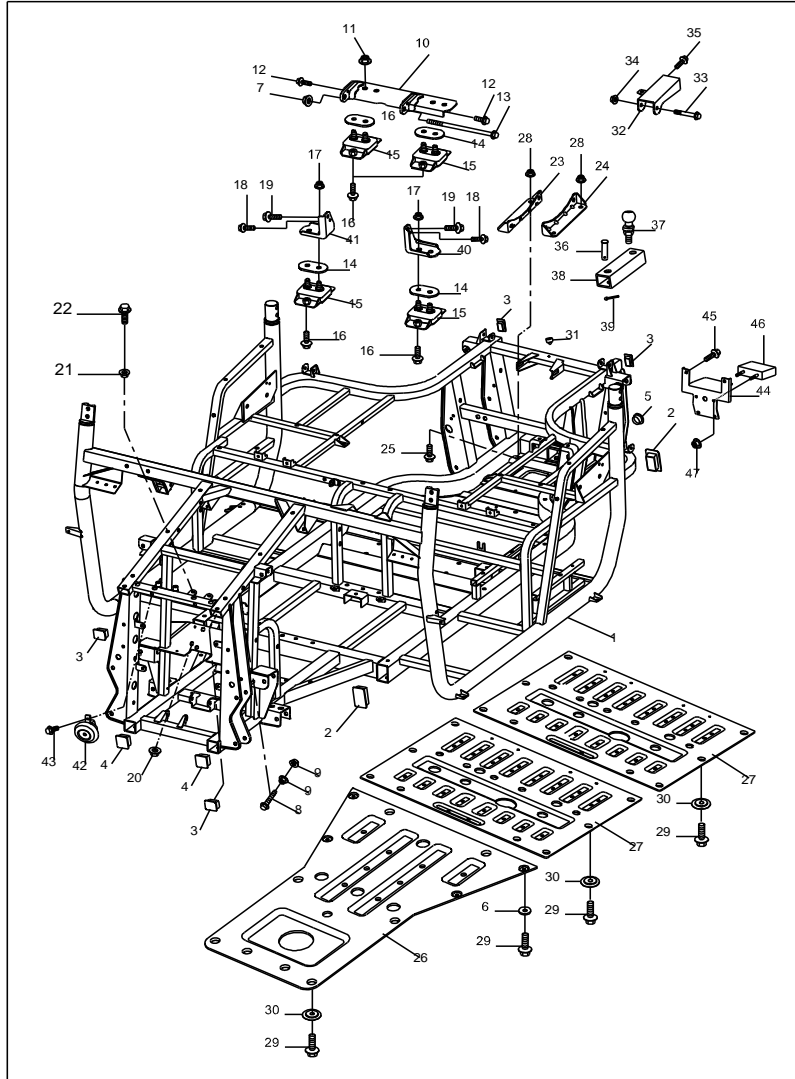




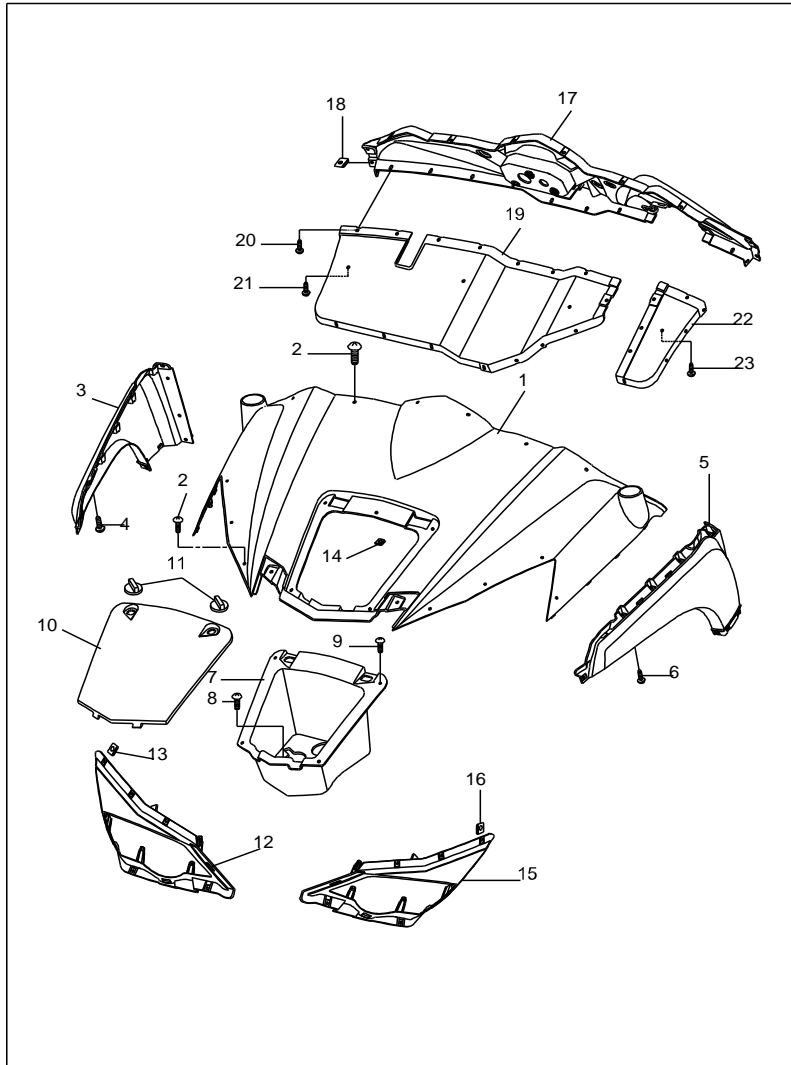
# Powermax G-Force Body 800 2010



Frame			
NO.	Part No.	Part Name And Standard	Q' ty
1	51100-178-0000	Frame Joint Parts	1
2	83737-055-0000	Plastic Plug, RectangularTube60×40	4
3	83736-055-0000	Plastic Plug, RectangularTube40×25	4
4	90902-000-0000	Plastic Plug, RectangularTube40×40	2
5	51001-178-0000	Rubber Plug, Rear Swing Arm Catch	4
6	97.1-6-00	Wasshorø6	4
7	6187.2-10-00	Hex Flange Self-locked Nut M10×1.25	1
8	16674-6-16	Hex Flange Bolt M6×16	1
9	6187.2-6-00	Hex Flange Self-locked Nut M6	2
10	54440-178-0000	Rear-lower Mounting Pad, Engine	1
11	6187.2-10-00	Hex Flange Self-locked Nut M10×1.25	4
12	16674-6-20	Hex Flange Bolt M6×20	2
13	16674-10-175	Hex Flange Bolt M10×1.25×175	1
14	54409-178-0000	Mounting Washer, Engine	4
15	54420-178-0000	Shock Absorber Mounting Pad, Engine	4
16	16674-10-20	Hex Flange Bolt M10×1.25×20	8
17	6187.2-10-00	Hex Flange Self-locked Nut M10×1.25	4
18	16674-6-20	Hex Flange Bolt M6×20	2
19	16674-8-20	Hex Flange Bolt M8×20	2
20	6187.2-10-00	Hex Flange Self-locked Nut M10×1.25	4
21	6187.2-6-00	Hex Flange Self-locked Nut M6	2
22	16674-6-16	Hex Flange Bolt M6×16	2
23	26013-178-0000	Lower Junction Panel, Right Mounting Pad, Rear	1
24	26011-178-0000	Lower Junction Panel, Left Mounting Pad, Rear	1
25	16674-10-20	Hex Flange Bolt M10×1.25×20	4



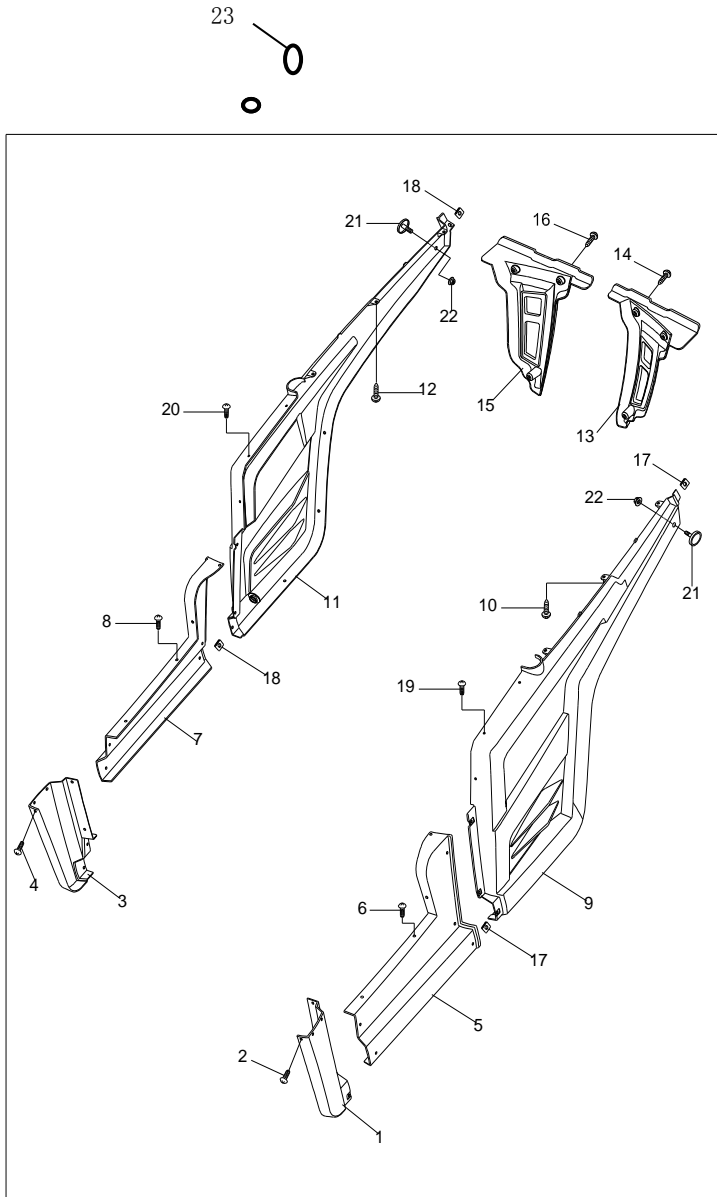
## Powermax G-Force Body 800 2010



Front Panel			
NO.	Part No.	Part Name And Standard	Q' ty
1	82121-178-0000	Front Panel ( Red )	1
	82121-178-0100	Front Panel ( Black )	1
	82121-178-0200	Front Panel ( Dark Green )	1
	82121-178-0300	Front Panel (Dark Green Camouflage)	1
	82121-178-0400	Front Panel ( Maple Leaf Camouflage )	1
	82121-178-0500	Front Panel (Silver)	1
	82121-178-0600	Front Panel (Vista Camouflage )	1
2	947-6-20	Screw M6×20	10
3	82103-178-0000	Right Sideband, Front Panel (Red)	1
	82103-178-0100	Right Sideband, Front Panel (Black)	1
	82103-178-0200	Right Sideband, Front Panel (Dark Green)	1
	82103-178-0300	Right Sideband, Front Panel (Dark Green	1
	82103-178-0400	Right Sideband, Front Panel (Maple Leaf	1
	82103-178-0500	Right Sideband, Front Panel (Silver)	1
	82103-178-0600	Right Sideband, Front Panel (Vista Camouflage )	1
4	845-5.2-16	Tapping Screw ST5.2×16	4
5	82102-178-0000	Left Sideband, Front Panel (Red)	1
	82102-178-0100	Left Sideband, Front Panel (Black)	1
	82102-178-0200	Left Sideband, Front Panel (Dark Green)	1
	82102-178-0300	Left Sideband, Front Panel (Dark Green Camouflage)	1
	82102-178-0400	Left Sideband, Front Panel (Maple Leaf Camouflage)	1
	82102-178-0500	Left Sideband, Front Panel (Silver)	1
	82102-178-0600	Left Sideband, Front Panel (Vista Camouflage )	1
6	845-5.2-16	Tapping Screw ST5.2×16	4
7	82123-178-0000	Sundry Box	1
8	947-6-20	Screw M6×20	2
9	947-5-20	Bolt M5×20	4
10	82122-178-0000	Sundry Box Cover (Red)	1

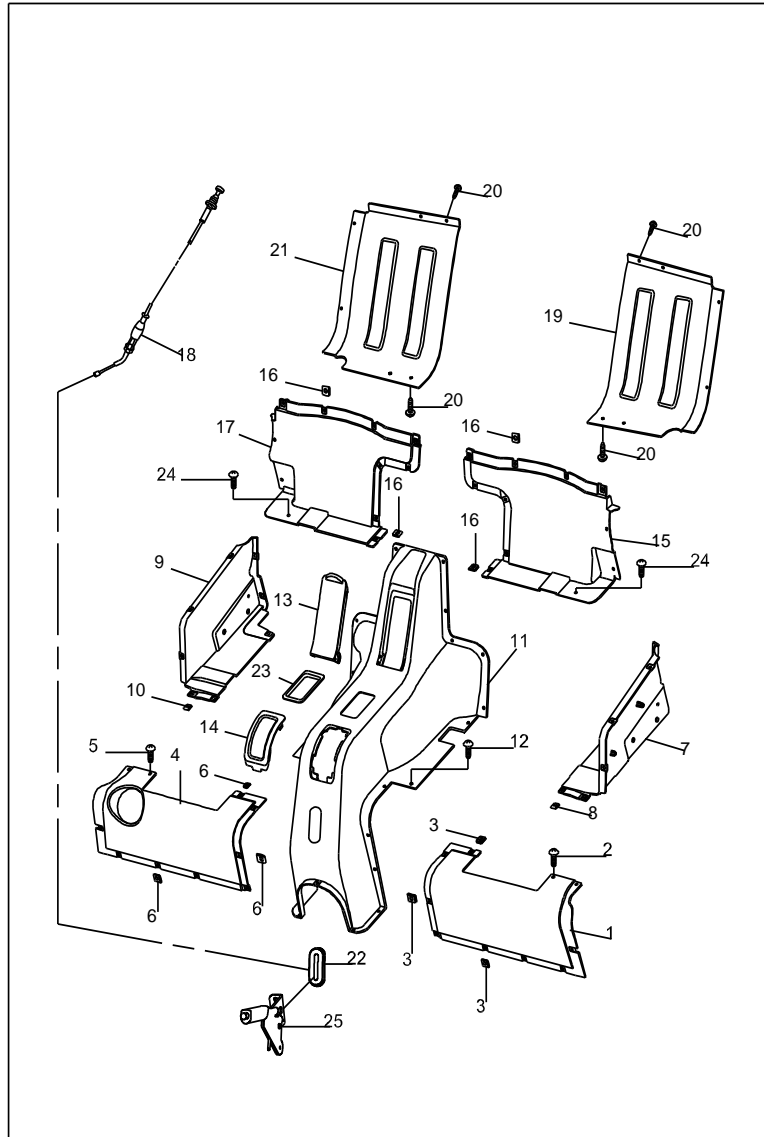


# Powermax G-Force Body 800 2010



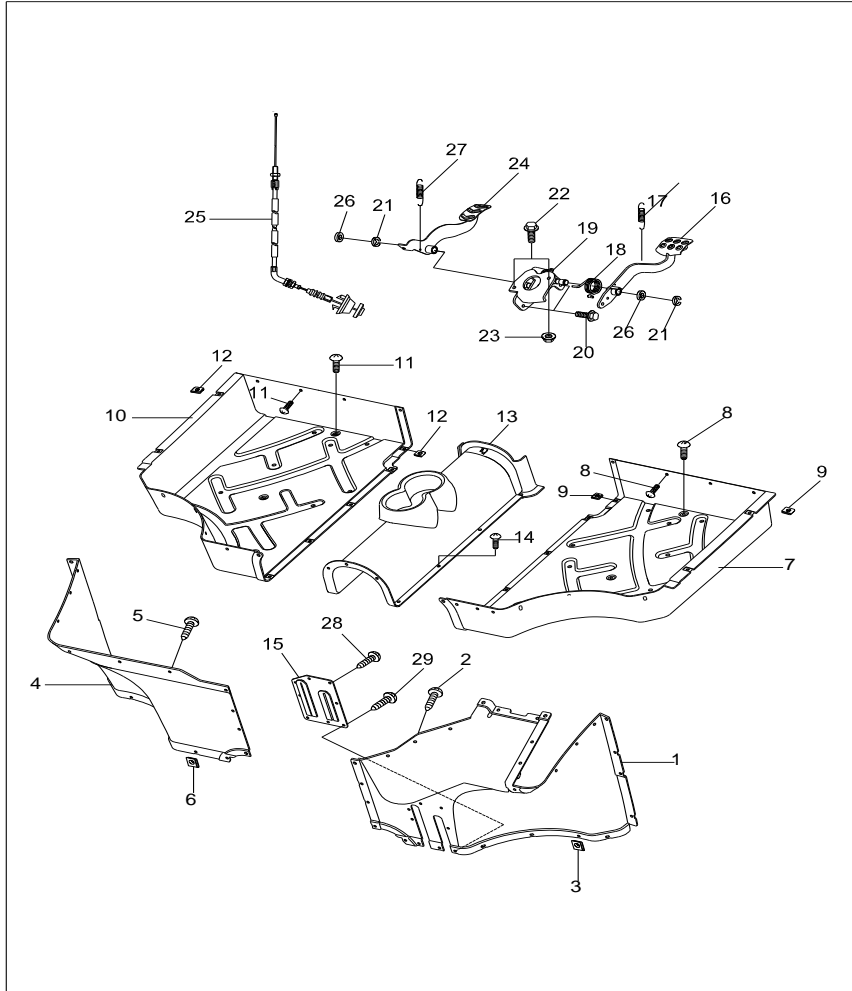
Side cover			
NO.	Part No.	Part Name And Standard	Q' ty
1	82322-178-0000	Front Side Cover, Left	1
2	947-6-20	Screw M6×20	1
3	82342-178-0000	Front Side Cover, Right	1
4	947-6-20	Screw M6×20	1
5	82321-178-0000	Rear Side Cover, Left	1
6	947-6-20	Screw M6×20	5
7	82341-178-0000	Rear Side Cover, Right	1
8	947-6-20	Screw M6×20	5
9	82211-178-0000	Left Protective Plate, Rear Frame Body	1
10	947-6-20	Screw M6×20	5
11	82212-178-0000	Right Protective Plate, Rear Frame Body	1
12	90001-000-0000	Screw M6×16	5
13	82352-178-0000	Rear Left Protective Plate	1
14	90001-000-0000	Screw M6×16	3
15	82351-178-0000	Rear Right Protective Plate	1
16	90001-000-0000	Screw M6×16	3
17	90323-000-0000	Nut Clip M6III (15×23)	4
18	90323-000-0000	Nut Clip M6III (15×23)	4
19	947-6-20	Screw M6×20	2
20	947-6-20	Screw M6×20	2
21	947-6-20	Screw M6×20	2
22	6187.2-6-00	Hex Flange self-locked Nut M6	2
23	34830-178-0000	Rear & Side reflector (Circular)	2

# Powermax G-Force Body 800 2010



Side cover parts			
NO.	Part No.	Part Name And Standard	Q' ty
1	82826-178-0000	Left Seat Protective Plate	1
2	90001-000-0000	Screw M6×16	1
3	90323-000-0000	Nut Clip M6III (15×23)	6
4	82827-178-0000	Right Seat Protective Plate	1
5	90001-000-0000	Screw M6×16	1
6	90323-000-0000	Nut Clip M6III (15×23)	6
7	82302-178-0000	Left Inner Cover Board	1
8	90323-000-0000	Nut Clip M6III (15×23)	4
9	82303-178-0000	Right Inner Cover Board	1
10	90323-000-0000	Nut Clip M6III (15×23)	4
11	82751-178-0000	Central Hood	1
12	90001-000-0000	Screw M6×16	12
13	82752-178-0000	Small Case Cover	1
14	82753-178-0000	Gearshift Lever Rim	1
15	82761-178-0000	Rear Left Seat Protective Plate	1
16	90323-000-0000	Nut clip M6III (15×23)	8
17	82762-178-0000	Rear right Seat protective plate	1
18	43611-178-0000	Parking Cable	1
19	82822-178-0000	Rear Left Fender	1
20	90001-000-0000	Screw M6×16	8
21	82823-178-0000	Rear Right Fender	1
22	82754-178-0000	Rubber, Parking System	1
23	82755-178-0000	Hood Repairing Cover	1
24	90001-000-0000	Screw M6×16	4
25	43610-178-0000	Parking Assy	1

# Powermax G-Force Body 800 2010



Footrest			
NO.	Part No.	Part Name And Standard	Q' ty
1	82541-178-0000	Left Front Fender	1
2	90001-000-0000	Screw M6×16	3
3	90323-000-0000	Nut Clip M6III (15×23)	7
4	82551-178-0000	Right Front Fender	1
5	90001-000-0000	Screw M6×16	6
6	90323-000-0000	Nut Clip M6III (15×23)	5
7	82721-178-0000	Left Footrest	1
8	90001-000-0000	Screw M6×16	8
9	90323-000-0000	Nut Clip M6III (15×23)	2
10	82731-178-0000	Right Footrest	1
11	90001-000-0000	Screw M6×16	9
12	90323-000-0000	Nut Clip M6III (15×23)	2
13	82741-178-0000	Central Protective Plate	1
14	90001-000-0000	Screw M6×16	5
15	43002-178-0000	Brake Pedal Rubber	1
16	43550-178-0000	Rear Brake Pedal Assy	1
17	43004-178-0000	Drawspring-Rear brake switch	1
18	43513-178-0000	Brake Pedal Return Spring	1
19	43510-178-0000	Rear Brake Cylinder Bracket	1
20	16674-8-20	Hex Flange Bolt M8×20	2
21	896-12-00	Circlip φ12	2
22	16674-8-25	Hex Flange Bolt M8×25	2
23	6187.1-8-00	Hex Flange Self-locked Nut M8	1
24	61710-178-0000	Accelerator Pedal Assy	1
25	61240-178-0000	Accelerator Cable Assy	1

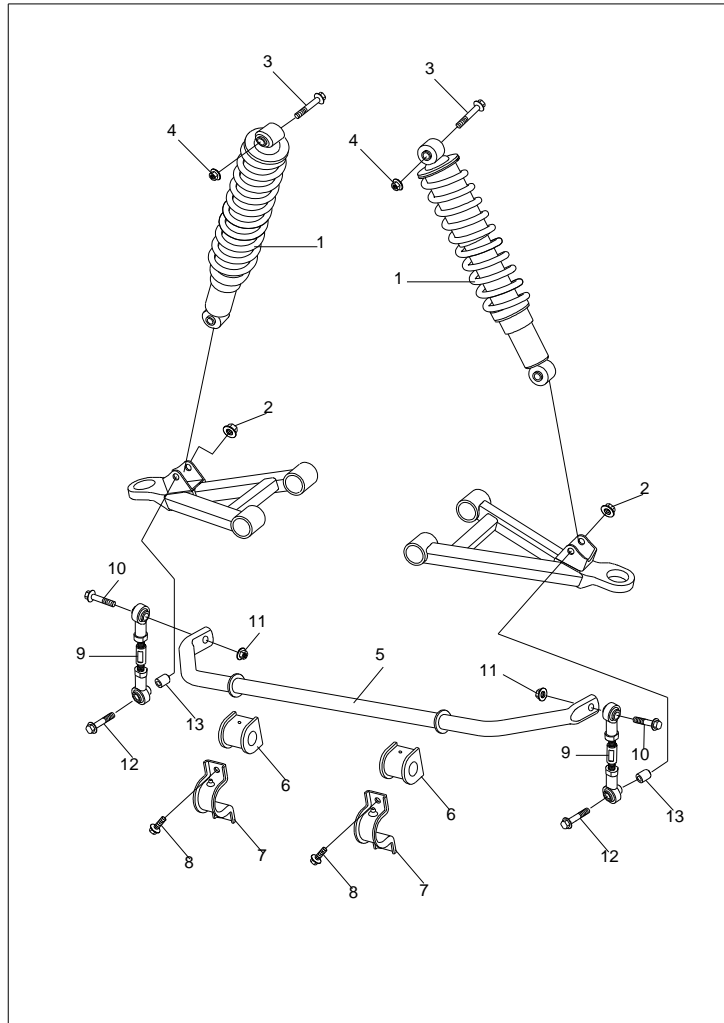








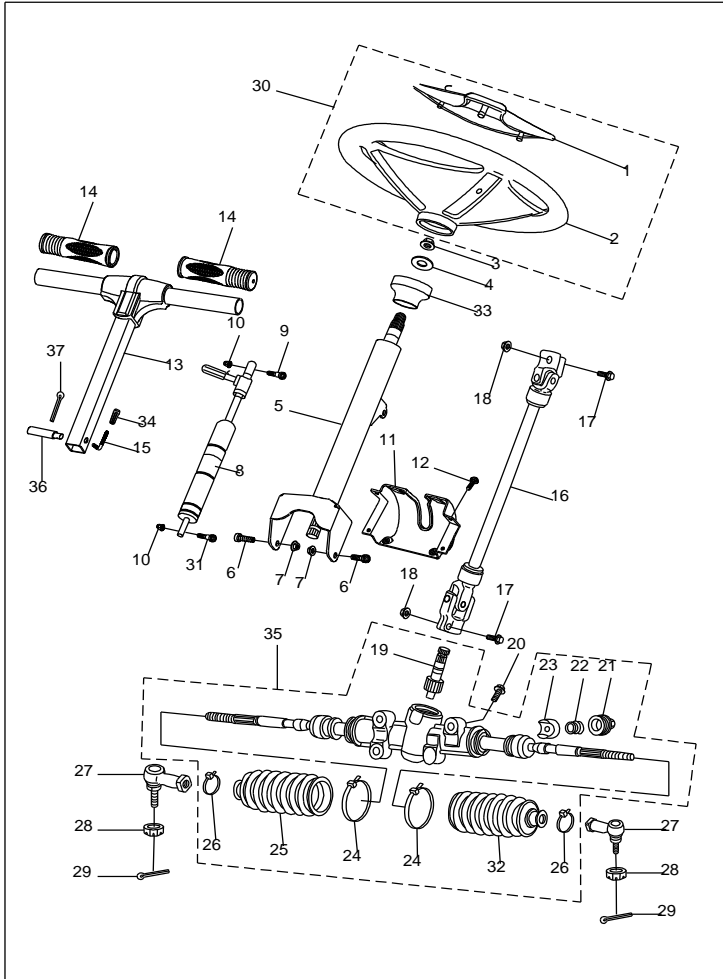
# Powermax G-Force Body 800 2010



Front suspension			
NO.	Part No.	Part Name And Standard	Q' ty
1	55300-178-0000	Shock Absorber (White)	2
	55300-178-0100	Shock Absorber (Black)	2
	55300-178-0200	Shock Absorber (Iron Grey)	2
2	6187.2-10-00	Hex Flange Self-locked Nut M10×1.25	2
3	16674-10-55	Hex Flange Bolt M10×1.25×55	2
4	6187.2-10-00	Hex Flange Self-locked Nut M10×1.25	2
5	56850-178-0000	Front Balancing Pole Assy	1
6	57802-055-0000	Rubber, Balancing Pole	2
7	57803-055-0000	Press Board, Balancing Pole	2
8	16674-8-20	Hex Flange Bolt M8×20	4
9	56810-178-0000	Tension Rod, Front Balancing Pole	2
10	16674-10-45	Hex Flange Bolt M10×1.25×45	2
11	6187.2-10-00	Hex Flange Self-locked Nut M10×1.25	2
12	16674-10-95	Hex Flange Bolt M10×1.25×95	2
13	56804-178-0000	Tension Rod Collar, Balancing Pole	2
14	56815-178-0000	Rubber Plug,Rocker	4
15	56816-178-0000	Radiator	2
16	56817-178-0000	Dust Cap, Rocker	24
17	56818-178-0000	Water Proof, Front Armrest	1
18	90415-000-0000	Clamp 14	1
19	90416-000-0000	Clamp	1

# Powermax G-Force Body 800 2010

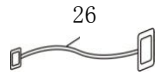
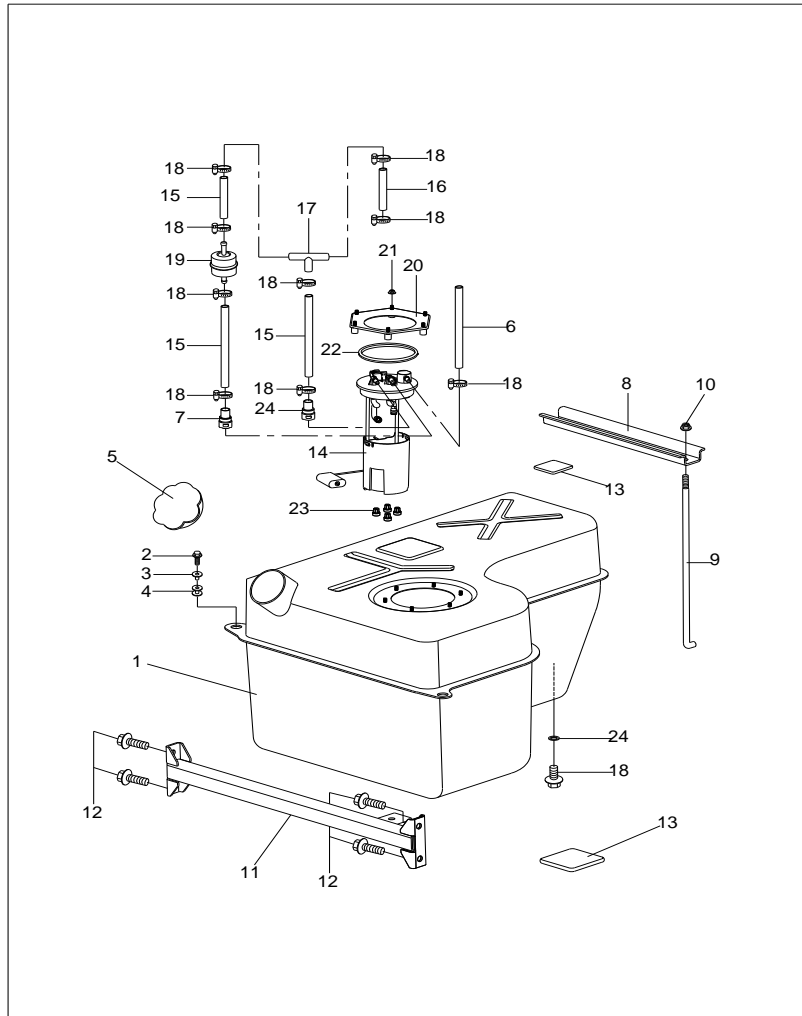
## Steering wheel parts



NO.	Part No.	Part Name And Standard	Q' ty
1	63404-055-0000	Plastic Cover	1
2	63410-055-0000	Steering Wheel	1
3	6187.2-12-00	Six-Angle Flange Self-locked Nut M12×1.25	1
4	97.1-12-00	Gasket	1
5	63300-178-0000	Steering Column	1
6	90191-000-0000	Inner Six-Angle Step BoltM8×13.5-φ12.5×11.5	2
7	6187.2-8-00	Hex Flange Self-locking Nut M8	2
8	55710-178-0000	Spring	1
9	90182-000-0000	Inner Six-Angle Step BoltM6×11-φ8×17	1
10	923-6-00	Nut M6	2
11	82604-178-0000	Decoration Board, Steering Machine	1
12	90001-000-0000	Screw M6×16	6
13	85610-178-0000	Passenger Handle Bar Assy	1
14	85613-178-0000	Handle Bar Grip	2
15	85614-178-0000	Locking Knob, Handle Bar	1
16	63210-055-0000	Steering Transmission Shaft Assy	1
17	16674-8-25	Six-Angle Flange Bolt M8×25	2
18	6187.2-8-00	Six-Angle Flange Self-locked Nut M8	2
19	63103-055-0000	Steering Gear	1
20	16674-10-30	Six-Angle Flange Bolt M10×1.25×30	4
21	63112-055-0000	Adjuster Cap	2
22	63409-055-0000	Spring	1
23	63114-055-0000	Washer	2
24	91526-000-0000	Clamp L=300	2
25	63107-055-0000	Right Rubber Boot	1

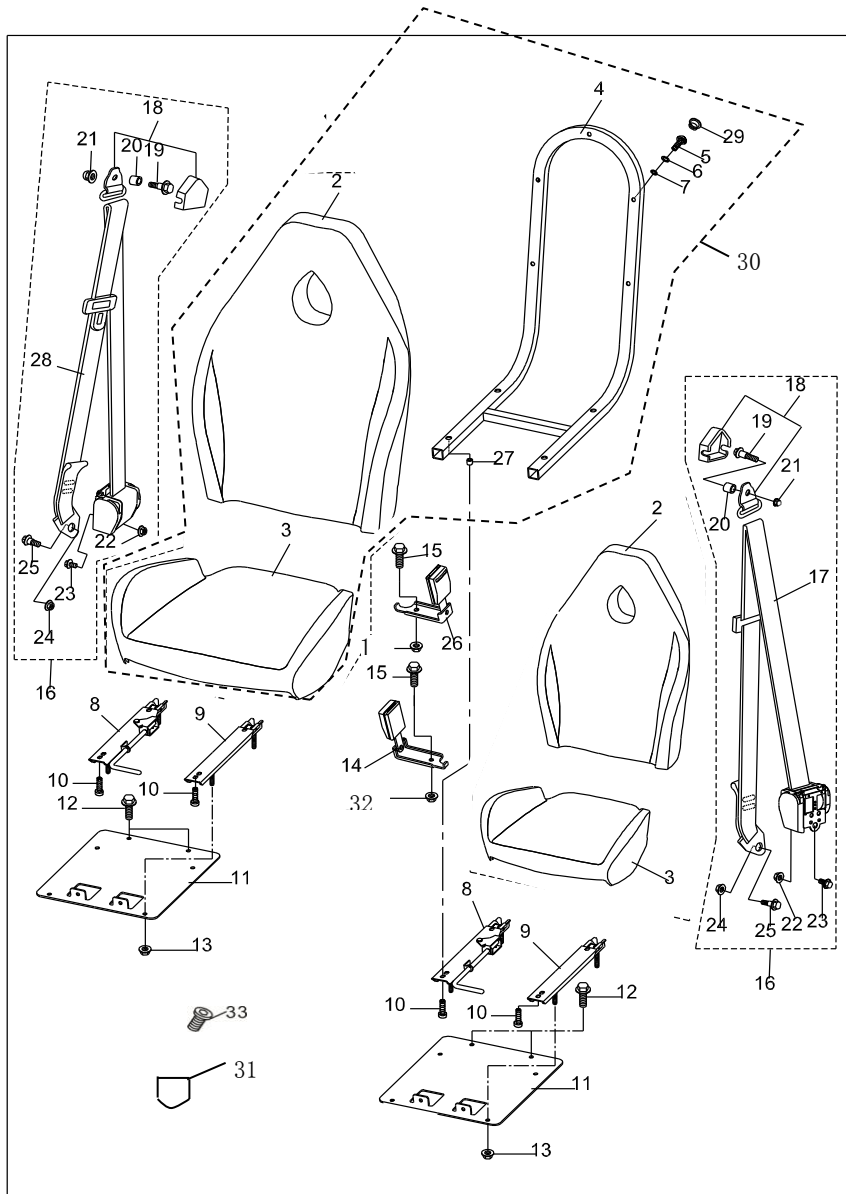


# Powermax G-Force Body 800 2010



Fuel tank			
NO.	Part No.	Part Name And Standard	Q' ty
1	81130-178-0000	Fuel Tank Assy	1
2	16674-8-25	Hex Flange BoltM8×25	3
3	81101-178-0000	Flanging Collar φ8.5	3
4	81105-178-0000	Robber Grommet	3
5	81150-178-0000	Fuel Tank Cover	1
6	81107-178-0000	Aeration Pipe φ9×φ5×540,Fuel Tank	1
7	16521-178-0000	Connector I	1
8	81006-178-0000	Press Board, Fuel Tank	1
9	81007-178-0000	Hook, Fuel Tank	1
10	6187.2-8-00	Hex Flange Self-locked Nut M8	1
11	51660-178-0000	Front Bracket,Fuel Tank	1
12	16674-8-45	Hex Flange Bolt M8×45	2
13	32006-178-0000	Fuel Tank Rubber Cushion 36×26×5	9
14	16420-178-0000	Electronic Fuel Pump	1
15	16502-178-0000	Oil Tank Outlet Pipe II (High Pressure)φ8×φ14×250	3
16	16501-178-0000	Oil Tank Outlet Pipe I (High Pressure) φ8×φ14×500	1
17	16505-178-0000	Tee Joint	1
18	90441-000-0000	Screw Clipφ10-φ20	9
19	16020-178-0000	Fuel Filter	1
20	16422-178-0000	Press Board,Negative Pressure Pump	1
21	6187.2-6-00	Hex Flange Self-locked Nut M6	6
22	16401-178-0000	Oil Seal, Electronic Fuel Pump	1
23	16423-178-0000	Rubber, Electronic Fuel Pump	4
24	16522-178-0000	Connector II	1
25	16506-178-0000	Rubber,Fuel Pipe	1
26	16425-178-0000	Patch Cord, Electronic Fuel Pump	1

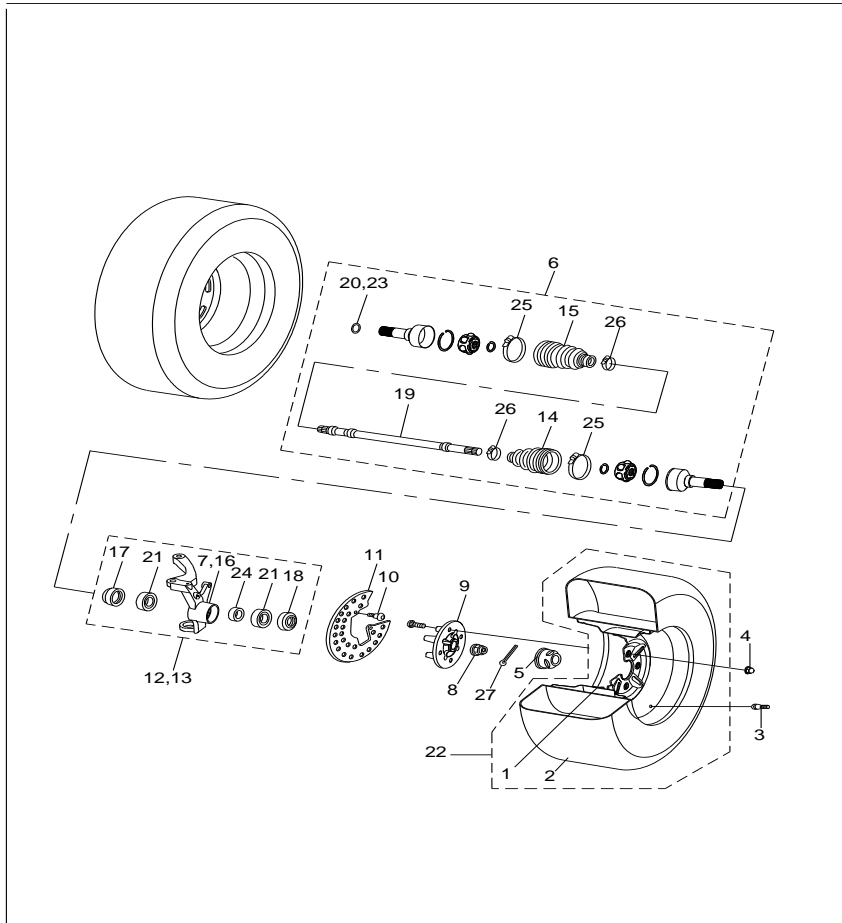
# Powermax G-Force Body 800 2010



Seat			
NO.	Part No.	Part Name And Standard	Q' ty
1	6187.2-10-00	Flange Nylex Nut M10×1.25	2
2	71252-178-0000	Back Rest	2
3	71251-178-0000	Seat Cushion	2
4	71240-178-0000	Seat Connection Assy	2
5	70.1-8-16	Six-Angle Bolt M8×16	10
6	97.1-8-00	Washer φ8	10
7	93-8-00	Circlip φ8	10
8	71270-178-0000	Right Slide Rail Assy, Seat	2
9	71260-178-0000	Left Slide Rail Assy, Seat	2
10	70.1-8-25	Inner Hex Screw M8×25	8
11	71204-178-0000	Seat Bottom Mounting Plate	2
12	16674-6-16	Hex Flange Bolt M6×16	4
13	6187.2-6-00	Hex Flange Self-locked Nut M6	8
14	85430-178-0000	Left Lock Catch, Seat Belt	1
15	16674-10-22	Hex Flange Bolt M10×1.25×22	2
16	85400-178-0000	Seat Belt Component	2
17	87120-055-0000	Left Seat Belt Assy (Tri-Point Fixing Style)	1
18	87102-055-0000	Seat Belt Buckle Cover	2
19	90171-000-0000	Hex Flange Bolt M10×1.25×25-φ14×5	2
20	87101-055-0000	Collar, Seat Belt	2
21	923-10-00	Nut M10×1.25	2
22	6187.2-10-00	Hex Flange Self-locked Nut M10×1.25	2
23	16674-10-22	Hex Flange Bolt M10×1.25×22	2
24	6187.2-10-00	Hex Flange Self-locked Nut M10×1.25	2



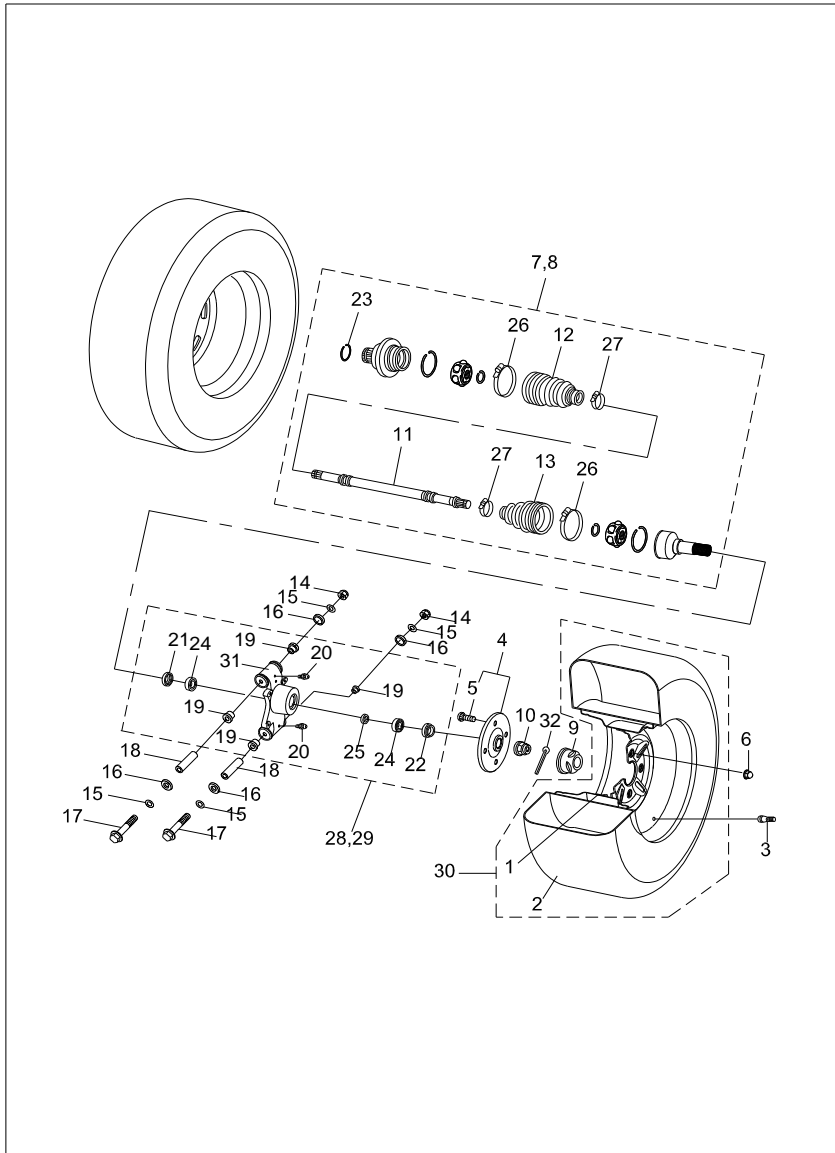
# Powermax G Force Body 800 2010



## AXLE, FRONT WHEEL

NO	Part No.	Part Name And Standard	Q' ty
1	41103-055-0100	F108 Front Aluminum Wheel II	2
	41102-055-0000	F107 Front steel wheel I (12×6.0)	2
2	41160-055-0000	Front Tire 25×8-12 (M-mark)	2
3	41003-178-0000	Inflating Valve	2
4	90308-055-0000	Nut M10×1.25	8
5	26101-055-0300	Z107 Axle Decorative Cover IV	2
	26101-055-0200	Z106 Axle Decorative Cover III	4
6	27111-178-0000	C.V Axle, Front left bridge	1
	27112-178-0000	C.V Axle, Front Right bridge	1
7	5672-055-0000	Front Right Steering Knuckle	1
8	9457-22-00	Nut M22×1.5	2
9	41111-055-0000	Front Hub Mounting Pad	2
10	90003-000-0000	Screw M6×12	4
11	44104-055-0000	Protective Cover,Front Brake	2
12	56710-055-0000	Front Left Steering Knuckle Assy	1
13	56720-055-0000	Front Right Steering Knuckle Assy	1
14	27115-055-0000	Inner Rubber Dust-P shed C-1610, Front Bridge	2
15	27119-178-0000	Outer Rubber Dust-Pshed C-1605, Front Bridge	2
16	56711-055-0000	Front Left Steering Knuckle	1
17	56712-055-0000	Inner Oil Seal 55×38×7, Front Steering Knuckle	2
18	56715-055-0000	Outer Oil Seal 55×38×7, Front Steering Knuckle	2
19	26121-178-0000	Outer Dust-Pshed Clamp1	2
20	27125-055-0000	Spring Ring, Front-C.V. Axle	1
21	GB/T276-94	Bearing 6006C-2RS	4
22	91-3.2-49	Pin	2
23	27125-055-0000	Spring Ring, Front-C.V. Axle	1
24	56714-055-0000	Inner Tube, Front Steering Knuckle	2
26	41100-055-0000	Front Wheel Assy	2

## Powermax G-Force Body 800 2010

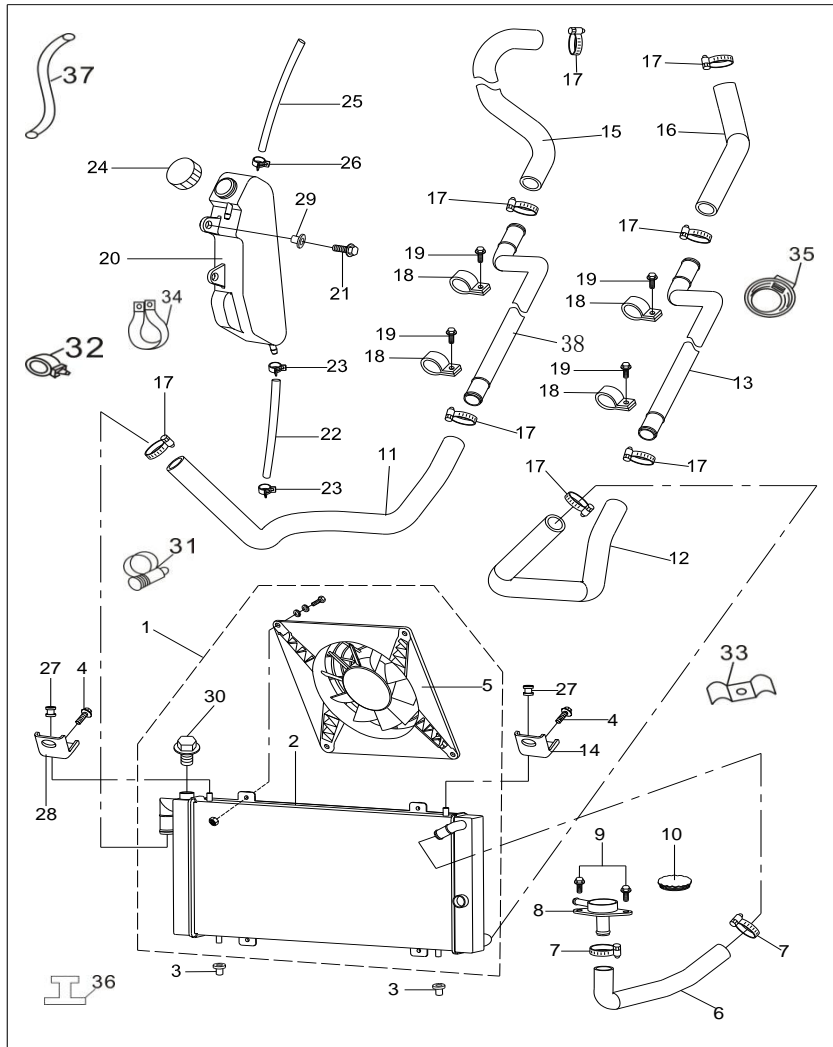


AXLE, REAR WHEEL			
NO	Part No.	Part Name And Standard	Q' ty
1	41203-055-0100	R108 Rear Aluminum Wheel II	2
2	41260-055-0000	Rear Tyre 25×10-12	2
3	41003-178-0000	Inflating Valve	2
4	41211-055-0000	Rear Hub Mounting Pad	2
5	41212-055-0000	Bolt M10×30	4
6	90308-055-0000	Nut M10×1.25	8
7	26110-178-0000	Left-C.V. Axle, Rear Bridge	1
8	26130-178-0000	Right-C.V. Axle, Rear Bridge	1
9	26101-055-0300	Z107 Axle Decorative Cover IV	2
	26101-055-0200	Z106 Axle Decorative Cover III	4
10	9457-22-00	Nut M22×1.5	2
11	57715-055-0000	Rear left Steering Knuckle Body	1
	57716-055-0000	Rear Right Steering Knuckle Body	1
12	26119-055-0000	Inner Rubber Boot C-1610 , Rear Bridge	1
13	26115-055-0000	Outer Rubber Boot C-1605 , Rear Bridge	1
14	6187.2-10-00	Six-Angle Flange Nut M10×1.25	4
15	96-10-00	Washer Φ10	8
16	57705-055-0000	Rubber Boot, Rear Steering Knuckle	8
17	16674-10-70	Six-Angle Flange Bolt M10×1.25×70	4
18	57704-055-0000	Shaft Tube Liner, Rear Steering Knuckle	4
19	57703-055-0000	Shaft Tube, Rear Steering Knuckle	8
20	940.1-6-00	Curved Nozzle Tip M6	4
21	57711-055-0000	Inner Oil Seal , Rear Steering Knuckle	2
22	57712-055-0000	Outer Oil Seal, Rear Steering Knuckle	2
23	26128-055-0000	Circlip φ30	2
24	57713-055-0000	Bearing, Rear Steering Knuckle	4
25	57714-055-0000	Inner Tube, Rear Steering Knuckle	2





# Powermax G-Force Body 800 2010

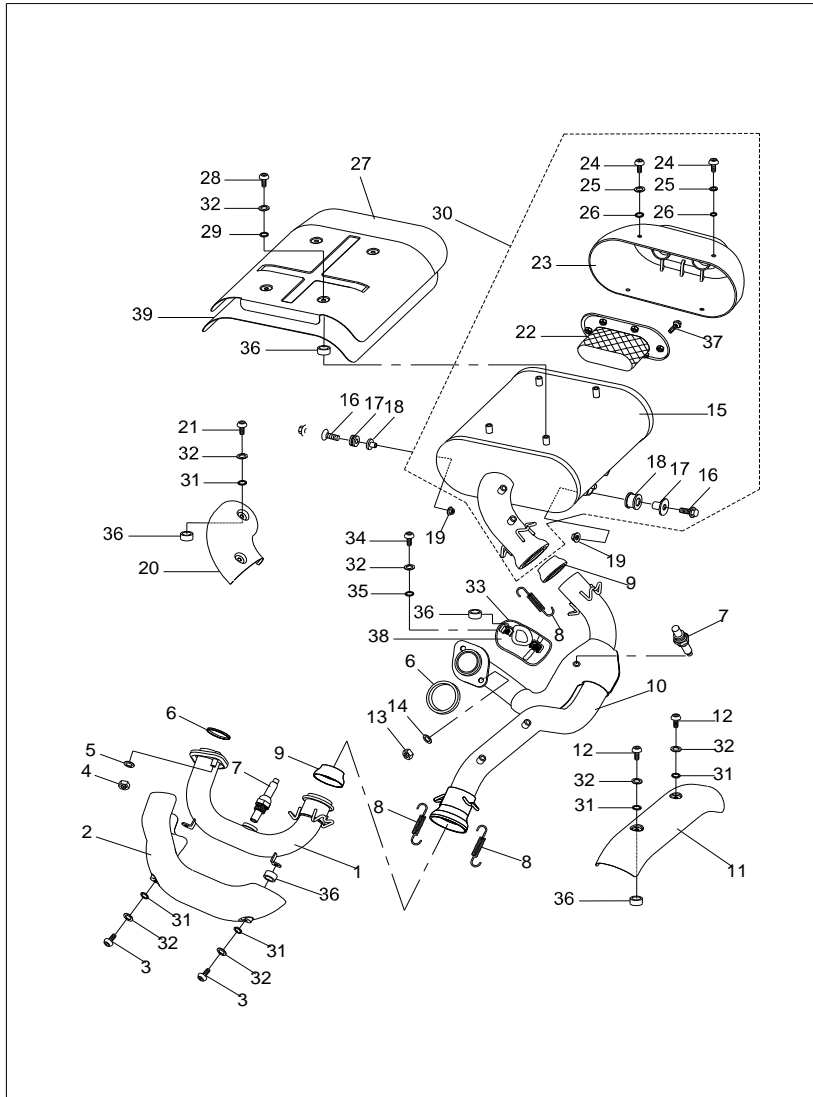


WATER RADIATOR PARTS			
NO	Part No.	Part Name And Standard	Q' ty
1	19200-178-0000	Cooling Water Tank	1
2	19210-178-0000	Water Tank Assy	1
3	19202-178-0000	Rubber Cushion $\phi 10 \times \phi 16 \times \phi 23 \times 13$ , Water Tank	2
4	16674-8-12	Hex Flange bolt M8 $\times$ 12	2
5	19230-178-0000	Fan Assy	1
6	19208-178-0000	Water Inlet Rubber Pipe	1
7	90442-000-0000	Screw Clip $\phi 20-\phi 30$	2
8	19250-178-0000	Water Inlet Assy	1
9	16674-6-25	Hex Flange Bolt M6 $\times$ 25	2
10	19240-178-0000	Water Tank Cover (Assy)	1
11	19822-178-0000	Right Front Rubber Pipe(Water Inlet)	1
12	19821-178-0000	Left Front Rubber Pipe(Water Inlet)	1
13	19831-178-0000	Left Metal Pipe	2
14	19011-178-0000	Mounting lug- Left Cooling Water Tank	1
15	19824-178-0000	Right Rear Rubber Pipe( Engine Inlet)	1
16	19823-178-0000	Left Rear Rubber Pipe( Engine Outlet)	1
17	90442-000-0000	Screw Clip $\phi 20-\phi 30$	8
18	19829-055-0000	Pipe Clip(Rubber covered) 45 $\times$ 13 $\times$ $\phi$ 6.5	4
19	16674-6-12	Hex Flange Bolt M6 $\times$ 12	4
20	19301-055-0000	Expansion Water Tank	1
21	16674-6-16	Hex Flange Bolt M6 $\times$ 16	2
22	19303-178-0000	Connection Rubber Pipe $\phi 5 \times \phi 9 \times 540$ , Expansion	1
23	90422-000-0000	Clip $\Phi 9$	2
24	19302-055-0000	Cover Assy,Expansion Water Tank	1
25	19304-178-0000	Overflow Pipe $\phi 5 \times \phi 9 \times 140$	1





# Powermax G-Force Body 800 2010

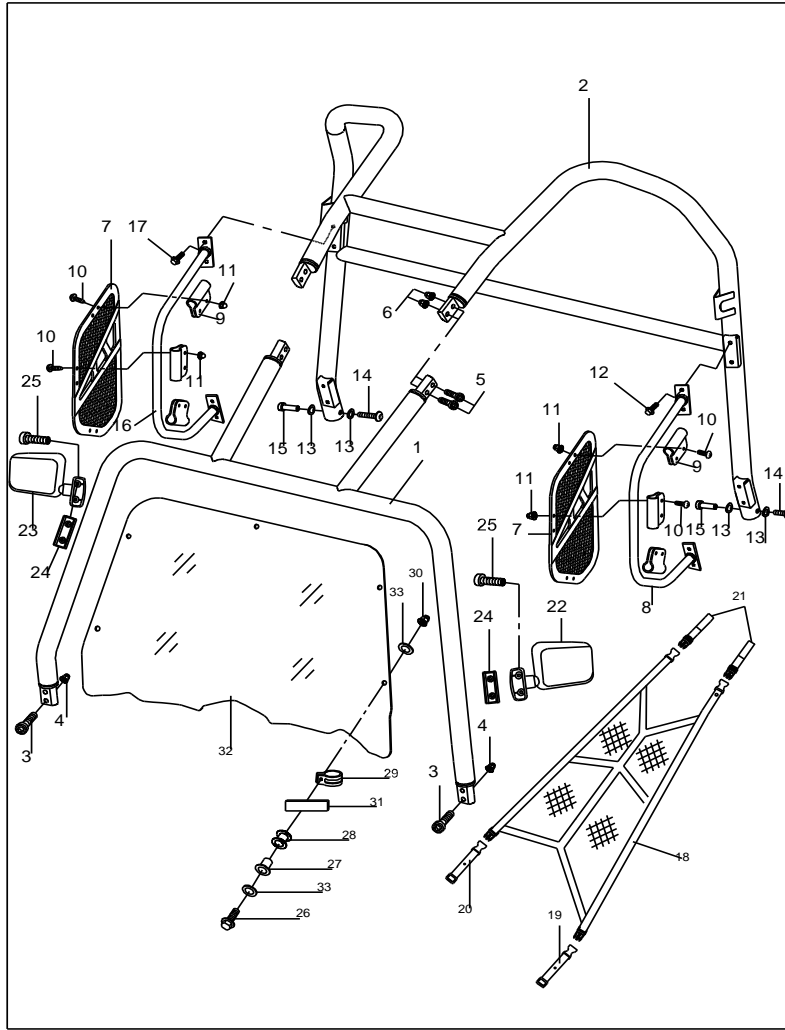


MUFFLER PARTS			
N0.	Part No.	Part Name And Standard	Q' ty
1	18110-178-0000	Exhaust Pipe Assy I	1
2	18102-178-0000	Exhaust Pipe 1 Cover	1
3	70.2-6-12	Hex Screw M6×12	2
4	6170-8-00	Hex Nut M8	2
5	93-8-00	Circlip φ8	2
6	18001-178-0000	Exhaust Pipe Gasket	2
7	16730-178-0000	O2 Sensor Assy	2
8	18141-055-0000	Connecting Spring, Exhaust Pipe	8
9	18106-055-0000	Seal Washer, Exhaust Pipe	2
10	18150-178-0000	Exhaust Pipe Assy II	1
11	18103-178-0000	Exhaust Pipe II Shield	1
12	70.2-6-12	Hex Screw M6×12	2
13	6170-8-00	Hex Flange Nut M8	2
14	93-8-00	Circlip φ8	2
15	18161-178-0000	Muffler Main Body	1
16	16674-8-30	Hex Flange Bolt M8×30	2
17	90601-178-0000	Flanging Collarφ8×φ12×φ28.5	2
18	90201-000-0000	H-type Rubber Ringφ12×φ22×φ26×17,Muffler	2
19	6187.2-8-00	Hex Flange Nut M8	2
20	18301-178-0000	Air Inlet Pipe Shield, Muffler	1
21	70.2-6-12	Hex Screw M6×12	2
22	18510-178-0000	Muffler Rear Pipe	1
23	18551-178-0000	Muffle Rear Cover	1
24	70.2-6-16	Hex Screw M6×16	4





# Powermax G-Force Body 800 2010

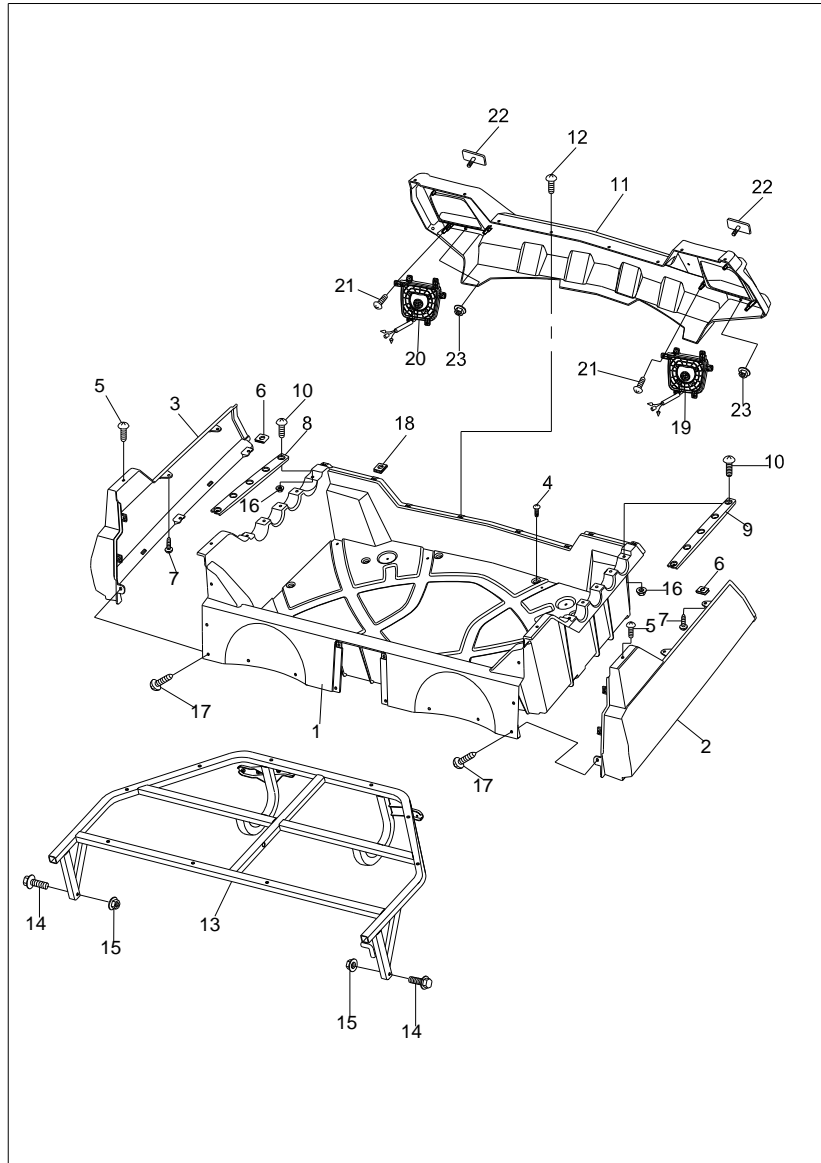


HEAD SHED FRAME			
Nº.	Part No.	Part Name And Standard	Q' ty
1	51410-178-0000	Front Part, Shed Assy	1
2	51420-178-0000	Rear Part, Shed Assy	1
3	70.1-10-45	Bolt M10×1.25×45	4
4	923-10-00	Nut M10×1.25	4
5	70.1-10-45	Inner Hex BoltM10×1.25×45	4
6	923-10-00	Nut M10×1.25	4
7	82828-178-0000	L/R, Shoulder Protector Panel	2
8	85620-178-0000	Left Shoulder Protector Assy	1
9	82829-178-0000	Clamp, Shoulder Protector	6
10	90001-000-0000	Screw M6×16	12
11	923-6-00	Nut M6	12
12	16674-6-16	Hex Flange Bolt M6×16	4
13	90605-055-0000	Washer	4
14	90161-000-0000	Inner Hex Screw M8×38-Φ10×16	2
15	90203-000-0000	Inner Hex Nut	2
16	85630-178-0000	Right Shoulder Protector Assy	1
17	16674-6-16	Hex Flange Bolt M6×16	4
18	85670-178-0000	Protecting Wire Net	2
19	85671-178-0000	Latch Buckle Assy I , Cab Protection Net	2
20	85672-178-0000	Latch Block Assy II , Cab Protection Net	2
21	85673-178-0000	Latch Head Assy I , Cab Protection Net	4
22	83810-178-0000	Windscreen	1
23	97.1-6-00	Washer Φ6	10
24	85601-178-0000	Mounting Lug, Protecting Wire Net	2
25	16674-5-20	Hex Flange Bolt M5×20	4





# Powermax G-Force Body 800 2010



CARRIER			
NO	Part No.	Part Name And Standard	Q' ty
1	84100-178-0000	Rear Cargo Carrier Assy	1
2	84231-178-0000	Left Cargo Carrier Decorative Panel (Red)	1
	84231-178-0100	Left Cargo Carrier Decorative Panel (Black)	1
	84231-178-0200	Left Cargo Carrier Decorative Panel(Dark Green )	1
	84231-178-0300	Left Cargo Carrier Decorative Panel ( Dark Green	1
	84231-178-0400	Left Cargo Carrier Decorative Panel (Maple Leaf	1
	84231-178-0500	Left Cargo Carrier Decorative Panel (Silver)	1
	84231-178-0600	Left Cargo Carrier Decorative Panel (Vista	1
3	84331-178-0000	Right Cargo Carrier Decorative Panel (Red)	1
	84331-178-0100	Right Cargo Carrier Decorative Panel (Black)	1
	84331-178-0200	Right Cargo Carrier Decorative Panel (Dark Green)	1
	84331-178-0300	Right Cargo Carrier Decorative Panel ( Dark Green	1
	84331-178-0400	Right Cargo Carrier Decorative Panel (Maple Leaf	1
	84331-178-0500	Right Cargo Carrier Decorative Panel (Silver)	1
	84331-178-0600	Right Cargo Carrier Decorative Panel (Vista	1
4	90001-000-0000	Screw M6×16	7
5	90001-000-0000	Screw M6×16	2
6	90323-000-0000	Nut Clip M6 III (15×23)	10
7	845-5.2-16	Tapping Screw ST5.2 × 16	4
8	84301-178-0000	Right Cargo Carrier Decorative Strip	1
9	84201-178-0000	Left Cargo Carrier Decorative Strip	1
10	90001-000-0000	Screw M6×16	10
11	82231-178-0000	Taillight Mounting Cover	1
12	90003-000-0000	Cross Head Screw M6 × 16	5
13	51300-178-0000	Cargo Carrier Frame	1
14	16674-8-45	Hex Flange Bolt M8 × 45	4
15	6187.2-8-00	Hex Flange Self-locking Nut M8	4

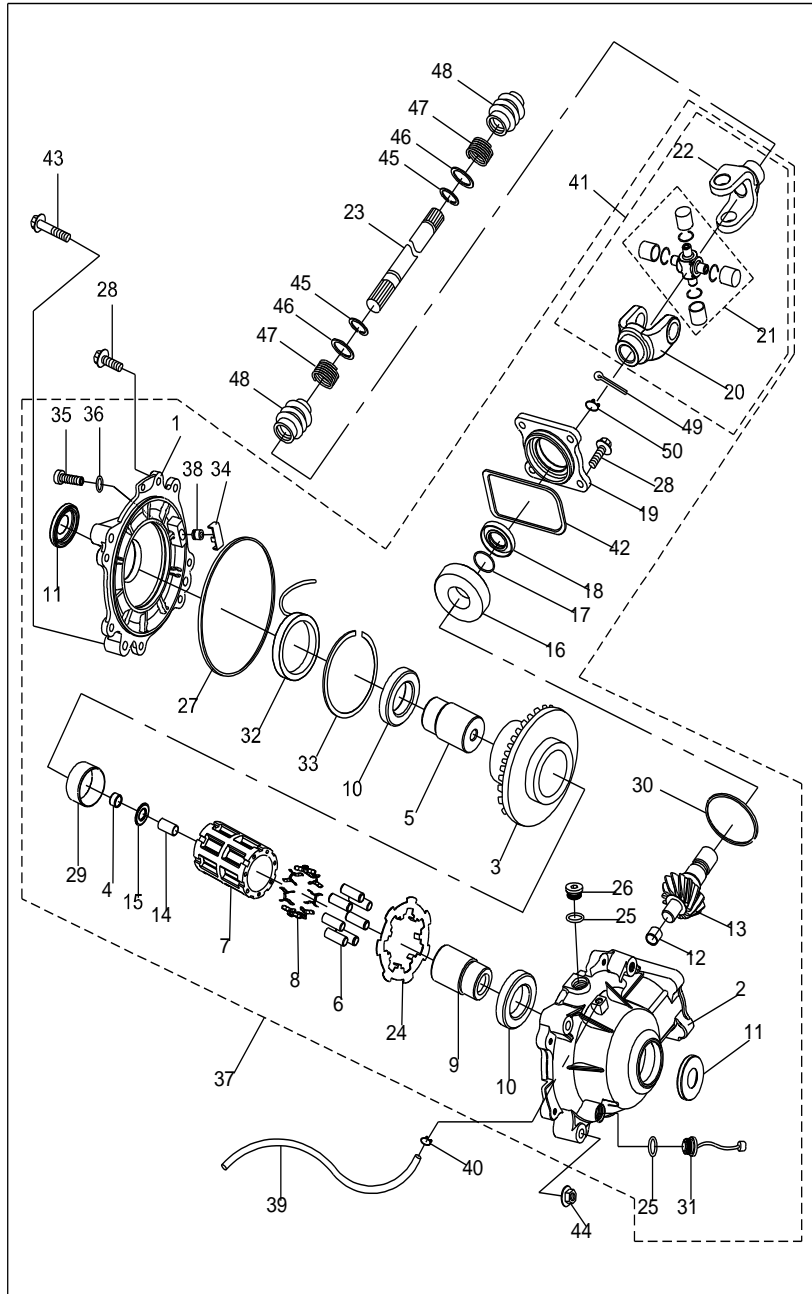






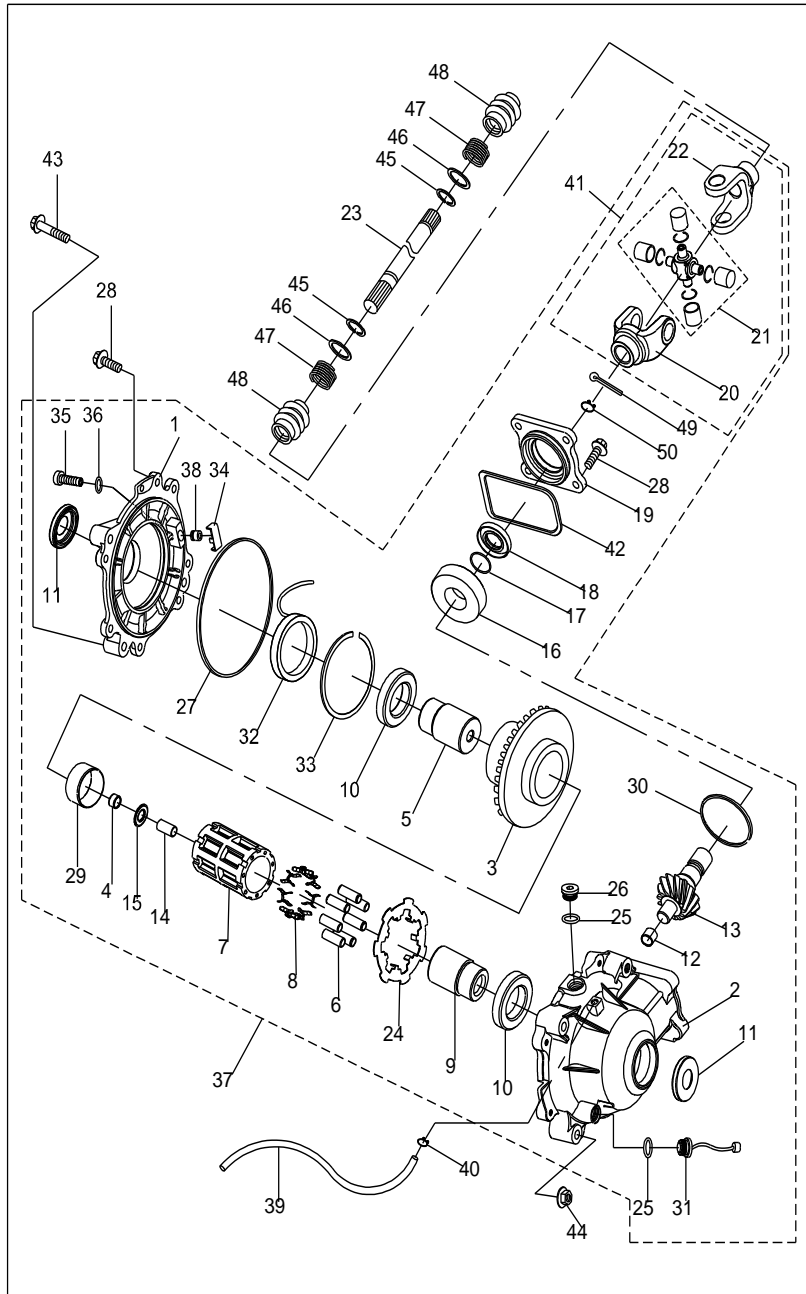


# Powermax G-Force Body 800 2010



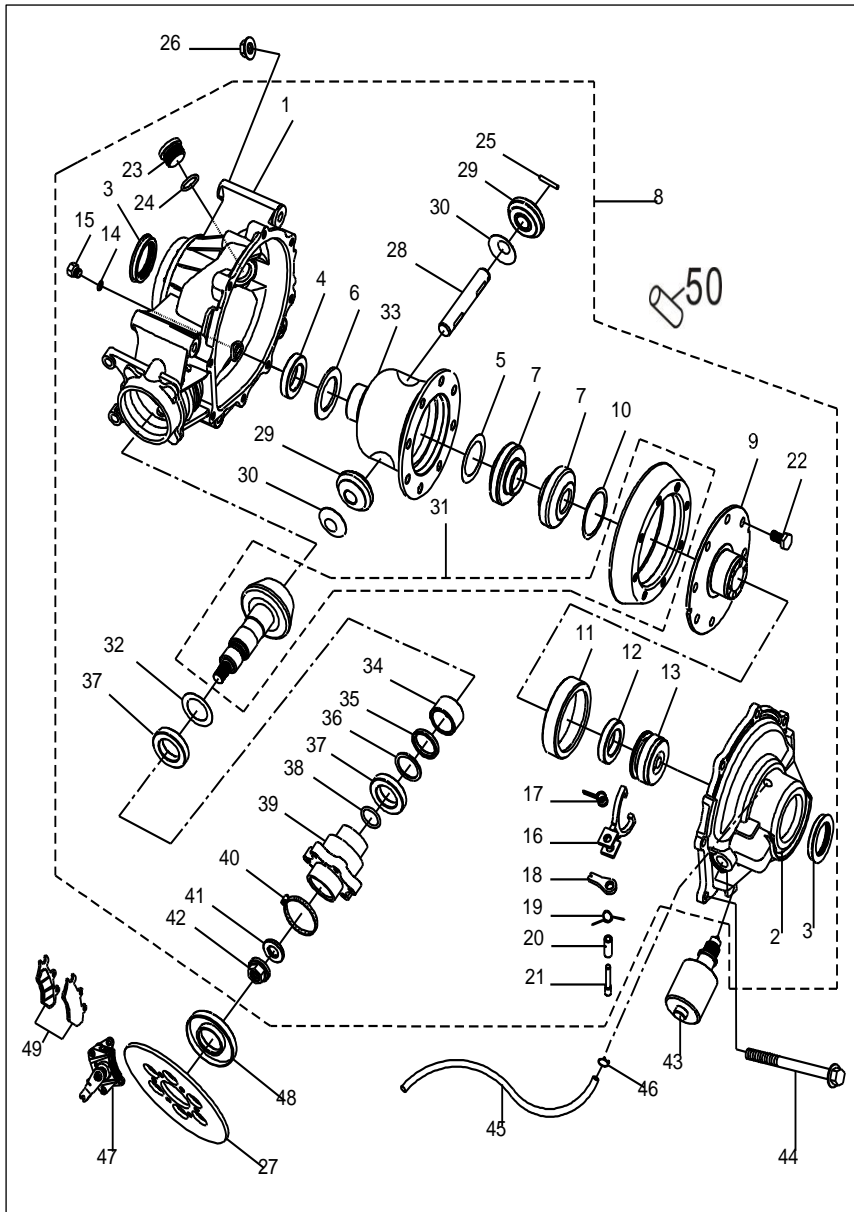
FRONT BRIDGE COMP.			
	Part No.	Part Name And Standard	Q' ty
1	27201-178-0000	Front Bridge Case Cover	1
2	27251-178-0000	Front Bridge Case	1
3	27252-178-0000	Front Bridge Driven Gear	1
4	27282-178-0000	Positioning Sleeve	1
5	27258-178-0000	Right-C.V. Axle	1
6	27281-178-0000	Roller	14
7	27280-178-0000	Cage Combination	1
8	27283-178-0000	Elastic Clip	14
9	27257-178-0000	Left-C.V. Axle	1
10	276-6008C3	Bearings 6008C3	2
11	27212-178-0000	Universal Joint Seal,Front Bridge	2
12	27224-178-0000	Drive Gear Sleeve	1
13	27205-178-0000	Front Bridge Drive Gear	1
14	27264-178-0000	Positioning Shaft	1
15	27245-178-0000	Bearing Hk	1
16	276-6306C3	Bearing 6306C3	1
17	27246-178-0000	Adjusting Gasket	1
18	27247-178-0000	Oil Seal 25×47×8	1
19	27202-178-0000	Cap Seal, Front Bridge	1
20	27531-178-0000	Connecting Fork, 1	1
21	27533-178-0000	Joint Cross Shaft	1
22	27532-178-0000	Connecting Fork 2	1
23	27511-178-0000	Transmission Shaft, Front Bridge	1
24	27267-178-0000	Fixed Plate,Cage Combination	1
25	27214-178-0000	O-Ring, Oil Inlet (Outlet) Bolt	2

# Powermax G-Force Body 800 2010



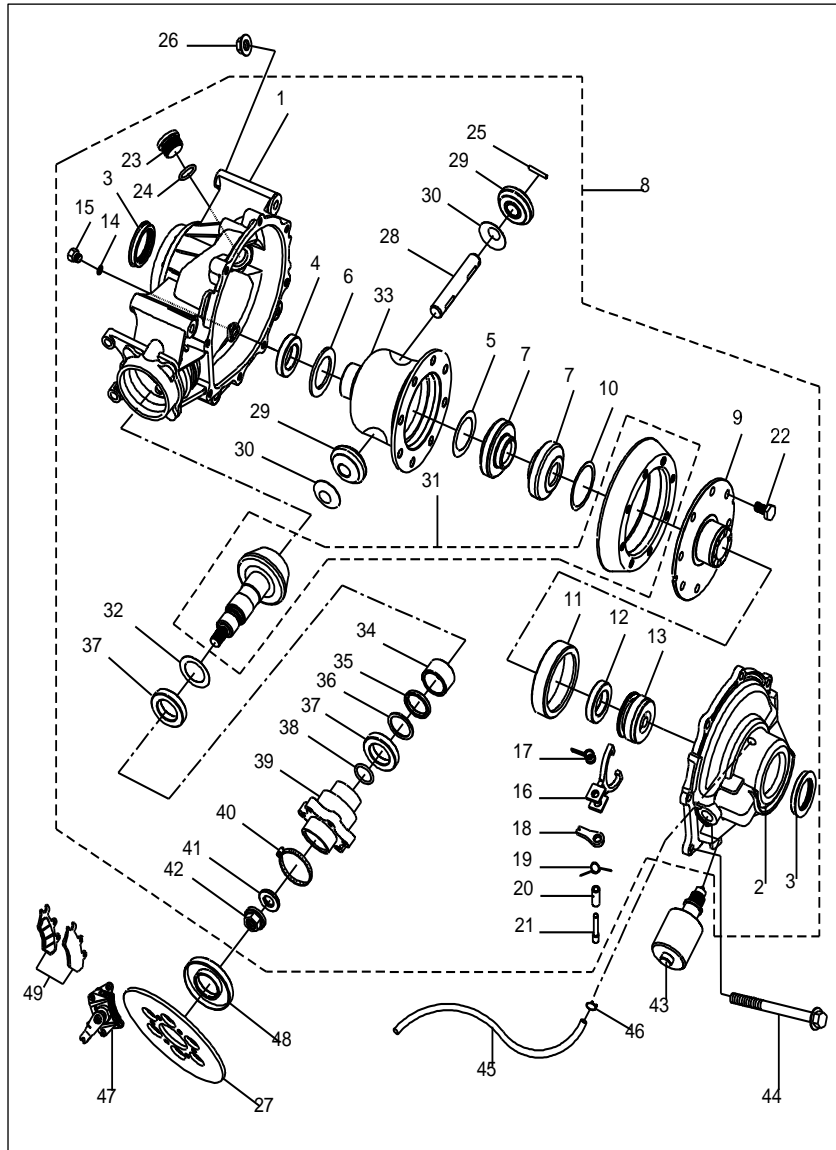
FRONT BRIDGE COMP.			
	Part No.	Part Name And Standard	Q' ty
26	27221-178-0000	Oil Outlet Bolt, Front Bridge	1
27	27203-178-0000	Rectangular Ring, Front Bridge Box	1
28	1419936	Self-Locked Bolt M8×25	11
29	27269-178-0000	Drive Gear Bush	1
30	27268-178-0000	Gascket	1
31	36160-178-0000	Speed Sensor Assy	1
32	26410-178-0000	Induction Coil Assy	1
33	27266-178-0000	Circlip 106.5×1.2	1
34	27265-178-0000	Adjusting Gasket	1
35	70.1-5-18	Screw M5×18	1
36	27243-178-0000	O-ring	1
37	27200-178-0000	Front Bridge Differential Assy	1
38	27242-178-0000	Adjusting Column	1
39	27206-178-0000	Air Tube,Front Bridge	1
40	90405-000-0000	Spring Clip	1
41	27530-178-0000	Universal Joint	1
42	27241-178-0000	Rubber Rectangular Ring, Cap Seal	1
43	16674-10-80	Hex Flange Bolt M10×1.25×80	2
44	6187.2-10-00	Hex Flange Self-Locked Bolt M10×1.25	2
45	894.1-17.5-00	Circlip d=17.5×δ=1	2
46	27259-055-0000	Cushion Piece 20x26x1	2
47	27504-055-0000	Spring ,Front Driving Shaft	2
48	27502-055-0000	Dust Proof, Front Driving Shaft	2
49	27301-178-0000	Dowel Pin	1
50	27302-178-0000	Clip	1

# Powermax G-Force Body 800 2010



REAR BRIDGE REDUCER ASSY			
NO	Part No.	Part Name And Standard	Q' ty
1	26201-178-0000	Rear Bridge Reducer Case	1
2	26202-178-0000	Rear Bridge Reducer Case Cover	1
3	26212-178-0000	Oil Seal 52×35×7, Universal Joint	2
4	297-32008E	Bearing 32008E	1
5	26264-178-0000	Adjusting Gasket 0.1	1
6	26217-178-0000	Adjusting Gasket 0.15	1
	26217-178-0001	Adjusting Gasket 0.2	1
7	26257-178-0000	Driven Gear	2
8	26200-178-0000	Rear Bridge Reducer Assy	1
9	26281-178-0000	Terminal Pad, Driven Gear	1
10	26261-178-0000	Gasket 0.1, Terminal Pad	1
	26261-178-0001	Gasket 0.2, Terminal Pad	1
11	297-32010E	Bearing 32010E	1
12	26271-178-0000	Bearing Housing	1
13	26519-178-0000	Clutch Claw	1
14	26222-178-0000	Fuel Outlet Gasket	1
15	26221-178-0000	Oil Outlet BoltM10×1	1
16	26350-178-0000	Fork Fabrication	1
17	26218-178-0000	Clip φ1.9	1
18	26241-178-0000	Support Bracket	1
19	26243-178-0000	Return Spring	1
20	26242-178-0000	Fork Bush	1
21	26219-178-0000	Fork Column Pin	1
22	26265-178-0000	Differential Bolt M10×1.25×20	8
23	26215-178-0000	Oil Inlet Bolt, Rear Bridge	1
24	26214-178-0000	O-Ring, Rear Bridge Oil Inlet Hole	1

# Powermax G-Force Body 800 2010



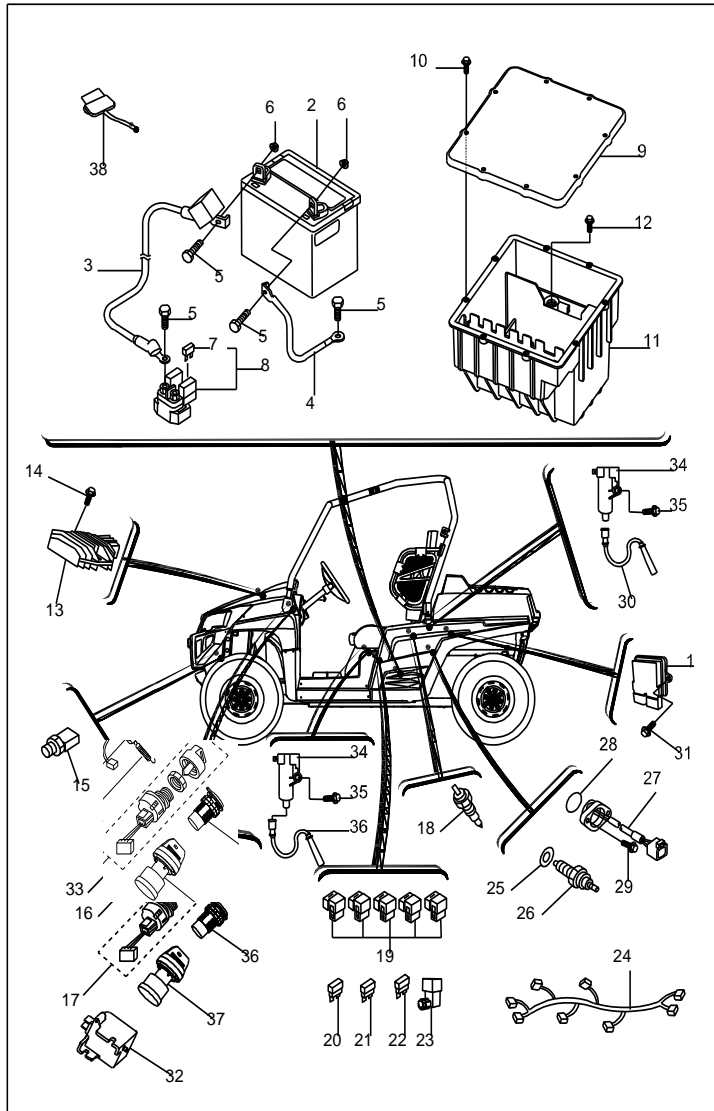
## REAR BRIDGE REDUCER ASSY

NO	Part No.	Part Name And Standard	Q' ty
25	879.1-4-28	Column Pin $\Phi 4 \times 28$	1
26	6187.2-10-00	Hex Flange Bolt M10 $\times$ 1.25	2
27	44016-055-0000	Mechanical Brake Disc	1
28	26272-178-0000	Column Pin	1
29	26255-178-0000	Planetary gear	2
30	26256-178-0000	Adjusting Gasket	2
31	26207-178-0000	Driving & Driven Gears Assy	1
32	26217-178-0000	Gasket, Rear Bridge Driving Gears	1
33	26251-178-0000	Differential Cover, Rear Bridge	1
34	26266-178-0000	Inner Tube $\phi 38 \times \phi 30.2 \times 15.3$	1
35	26268-178-0000	Adjusting Inner Tube Gasket	1
36	26267-178-0000	Adjusting Inner Tube	1
37	297-32206E	Bearing 32206E	2
38	26211-178-0000	O-Ring $\Phi 24 \times \Phi 3$	1
39	44020-178-0000	Mounting Pad, Rear Disc Brake	1
40	90445-000-0000	Clamp $\Phi 40-60$	1
41	26521-001-0000	Gasket 14 $\times$ 30 $\times$ 4	1
42	618.2-14-00	Self-locked Bolt M14 $\times$ 1.5	1
43	26420-178-0000	Solenoid Valve Assy	1
44	16674-10-145	Hex Flange Bolt M10 $\times$ 1.25 $\times$ 80	2
45	26206-178-0000	Air Tube, Rear Bridge	1
46	90405-000-0000	Spring Clip	1
47	44610-178-0000	Parking Brake Calipers	1
48	26512-178-0000	Rubber Boot, Rear Bridge	1
49	44614-178-0000	Parking Brake Shoe	1
50	26515-178-0000	Mounting Collar, Rear Bridge	2

# Powermax G Force Body 800 2010

## FORMATION, ELECTRIC PARTS

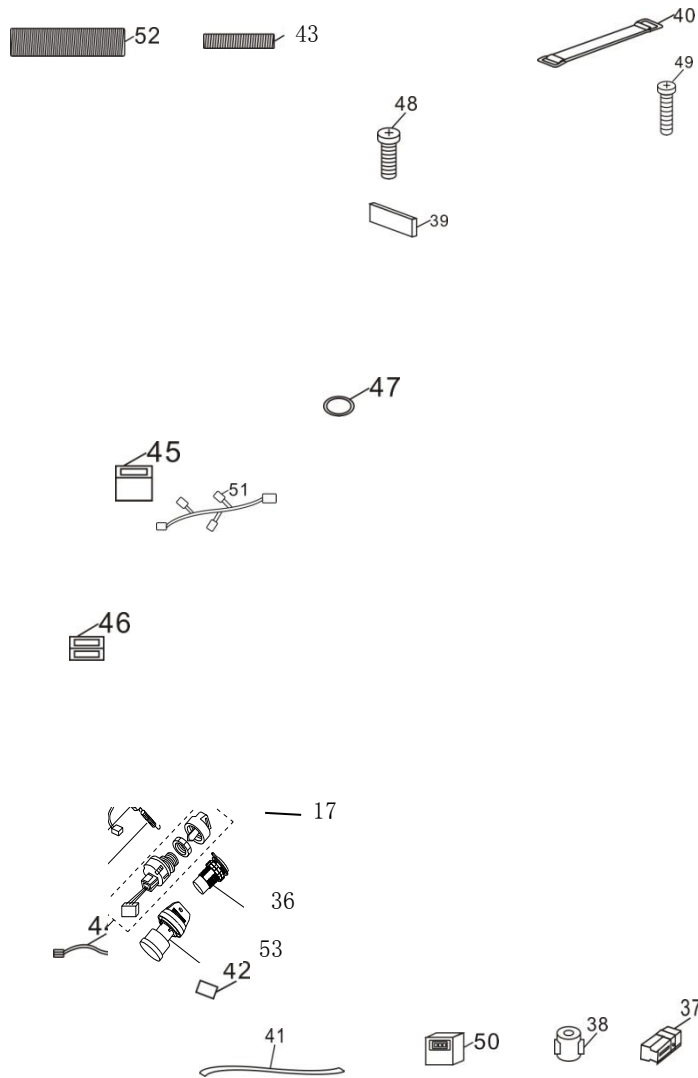
### Position, electrical parts



	Part No.	Part Name And Standard	Q' ty
1	33500-178-0000	EFI	1
2	32200-055-0000	Battery	1
3	34102-055-0000	Positive Cable, Battery	1
4	34106-055-0000	Negative Cable, Battery	1
5	20/06/5783	Bolt M6×20	4
6	6184-6-00	Six-Angle Flange Nut M6	2
7	32552-178-0000	Fuse (30A-B1)	2
8	37700-058-0000	Starting Relay	1
9	32032-178-0000	Battery Box Cover	1
10	16674-6-12	Six-Angle Flange Bolt M10×1.25×80	8
11	32031-178-0000	Battery Box	1
12	16674-6-16	Six-Angle Flange Bolt M10×1.25×80	6
13	32100-178-0000	Voltage Regulator	1
14	16674-6-20	Six-Angle Flange Bolt M10×1.25×80	2
15	19400-178-0000	Thermostat Parts	1
16	37006-178-0000	Return Spring , Rear Brake	1
17	37210-178-0000	Ignition Switch Assy	1
18	19430-178-0000	Temperature Sensor	1
19	37920-058-0000	Auxiliary Relay(G8Hn-1C4T-Rj)	5
20	32542-178-0000	Fuse(10A)	4
21	32543-178-0000	Fuse(5A)	1
22	32544-178-0000	Fuse(15A)	1
23	37910-058-0000	Breaker Assy(G8Ms-1A41T)	1
24	34120-178-0000	Wire Harness(EPA)	1
25	96-10-00	Washer Φ10	1

# Powermax G-Force Body 800 2010

## Position, electrical parts



NO.	Part No.	Part Name And Standard	Q' ty
26	37125-055-0000	Reverse Switch	1
27	37120-055-0000	Gearshift Switch Assy	1
28	37121-055-0000	O Ring $\Phi 29.6 \times 2.4$	1
29	16674-6-16	Six-Angle Flange Bolt M6 $\times$ 16	1
30	33102-178-0000	High Voltage Wire	2
31	16674-6-12	Six-Angle Flange Bolt M6 $\times$ 16	2
32	37320-178-0000	2WD/ 4WD Switch	1
33	37350-055-0000	Rear Brake Light Switch Assy	1
34	33110-178-0000	Ignition Coil	2
35	16674-6-40	Six-Angle Flange Bolt M6 $\times$ 40	2
36	32920-058-0000	DC Socket	1
37	37922-058-0000	Auxiliary Relay Bracket	1
38	37925-178-0000	Cut-off Relay Assy Rubber	1
39	32216-178-0000	Rubber Cushion, Battery	2
40	32217-178-0000	Battery Clamp	1
41	34113-178-0000	Speed Sensor Wire	1
42	34114-178-0000	Connector, Sensor	1
43	37927-178-0000		1
44	43606-178-0000	Parking Indicator Switch	1
45	37924-058-0000	Auxiliary Relay Rubber	1
46	37925-178-0000	Cut-off Relay Assy Rubber	1
47	36512-058-0000	Gasket, Sensor	1
48	818-4-12	Bolt M4*12	1
49	818-4-20	Bolt M4*20	1
50	33502-178-0000	Solenoid Valve Controller	1
51	34121-178-0000	Secondary Wire Harness(E-mark)	1
52	37926-178-0000		1
53	37310-055-0000	Headlight Switch Assy	1

